



GD55LX01GE

DATASHEET



Contents

1	FEATURES	4
2	GENERAL DESCRIPTIONS	5
3	MEMORY ORGANIZATION	9
4	DEVICE OPERATIONS	10
4.1	SPI MODE	10
4.2	OPI MODE	10
4.3	RESET FUNCTION	10
4.4	ECC FUNCTION	11
4.5	DATA STROBE FUNCTION	11
5	DATA PROTECTION	12
6	DATA INTEGRITY CHECK	14
6.1	ECC (ERROR CHECKING AND CORRECTING)	14
6.2	ECS# (ERROR CORRECTED SIGNAL) PIN	15
6.3	PARITY CHECK (CRC)	15
7	REGISTERS	16
7.1	STATUS REGISTER	16
7.2	FLAG STATUS REGISTER	17
7.3	EXTENDED ADDRESS REGISTER	18
8	INTERNAL CONFIGURATION REGISTER	20
8.1	NONVOLATILE CONFIGURATION REGISTER	20
8.2	VOLATILE CONFIGURATION REGISTER	22
8.3	SUPPORTED CLOCK FREQUENCIES	25
8.4	DATA SEQUENCE WRAPS BY DENSITY	26
9	COMMAND DESCRIPTIONS	27
9.1	ENABLE 4-BYTE MODE (B7H)	31
9.2	DISABLE 4-BYTE MODE (E9H)	31
9.3	CLEAR FLAG STATUS REGISTER (30H)	32
9.4	WRITE ENABLE (WREN) (06H)	32
9.5	WRITE DISABLE (WRDI) (04H)	33
9.6	WRITE ENABLE FOR VOLATILE STATUS REGISTER (50H)	33
9.7	WRITE STATUS REGISTER (WRSR) (01H)	34
9.8	WRITE EXTENDED ADDRESS REGISTER (C5H)	35
9.9	WRITE NONVOLATILE/VOLATILE CONFIGURATION REGISTER (WRCR) (B1H/81H)	35
9.10	READ STATUS REGISTER (RDSR) (05H)	36



9.11	READ FLAG STATUS REGISTER (RDSR) (70H)	37
9.12	READ NONVOLATILE/VOLATILE CONFIGURATION REGISTER (B5H/85H)	38
9.13	READ EXTENDED ADDRESS REGISTER (C8H)	39
9.14	READ DATA BYTES (READ) (03H/13H)	40
9.15	READ DATA BYTES AT HIGHER SPEED (FAST READ) (0BH/0CH).....	40
9.16	OCTAL OUTPUT FAST READ (8BH/7CH)	41
9.17	OCTAL I/O FAST READ (CBH/CCH)	42
9.18	OCTAL I/O DTR READ (FDH).....	44
9.19	PAGE PROGRAM (PP) (02H/12H).....	45
9.20	OCTAL PAGE PROGRAM (82H/84H)	47
9.21	EXTEND OCTAL PAGE PROGRAM (C2H/8EH).....	48
9.22	SECTOR ERASE (SE) (20H/21H).....	49
9.23	32KB BLOCK ERASE (BE32) (52H/5CH).....	49
9.24	64KB BLOCK ERASE (BE64) (D8H/DCH).....	50
9.25	CHIP ERASE (CE) (60H/C7H)	51
9.26	DEEP POWER-DOWN (DP) (B9H).....	52
9.27	RELEASE FROM DEEP POWER-DOWN (ABH)	53
9.28	READ UNIQUE ID (4BH).....	53
9.29	READ IDENTIFICATION (RDID) (9FH/9EH)	54
9.30	PROGRAM/ERASE SUSPEND (PES) (75H)	55
9.31	PROGRAM/ERASE RESUME (PER) (7AH)	56
9.32	ERASE SECURITY REGISTERS (44H)	57
9.33	PROGRAM SECURITY REGISTERS (42H).....	58
9.34	READ SECURITY REGISTERS (48H)	59
9.35	INDIVIDUAL BLOCK/SECTOR LOCK (36H)/UNLOCK (39H)/READ (3DH).....	60
9.36	GLOBAL BLOCK/SECTOR LOCK (7EH) OR UNLOCK (98H).....	62
9.37	ENABLE RESET (66H) AND RESET (99H).....	63
9.38	READ SERIAL FLASH DISCOVERABLE PARAMETER (5AH).....	64
10	ELECTRICAL CHARACTERISTICS	66
10.1	POWER-ON TIMING	66
10.2	INITIAL DELIVERY STATE	66
10.3	ABSOLUTE MAXIMUM RATINGS	66
10.4	CAPACITANCE MEASUREMENT CONDITIONS.....	67
10.5	DC CHARACTERISTICS.....	68
10.6	AC CHARACTERISTICS	71
11	ORDERING INFORMATION.....	80
11.1	VALID PART NUMBERS	81
12	PACKAGE INFORMATION	82
12.1	PACKAGE TFBGA-24BALL (5X5 BALL ARRAY).....	82
12.2	PACKAGE SOP16 300MIL	83
13	REVISION HISTORY	84



1 FEATURES

- ◆ 1G-bit Xccela™ Serial NOR Flash Memory
 - 128M-Byte
 - 256 Bytes per programmable page
- ◆ Standard, Octal SPI, DTR Octal SPI
 - Standard SPI: SCLK, CS#, SI, SO, IO[7:2], WP#, RESET#
 - Octal SPI: SCLK, CS#, IO[7:0], WP#, RESET#
 - OPI DTR (Double Transfer Rate) Read
 - 3- or 4-Byte Address Mode
- ◆ High Speed Clock Frequency
 - 200MHz for fast read
 - OPI Mode Data transfer up to 200MBytes/s
 - Octal I/O Data transfer up to 200MBytes/s
 - DTR Octal I/O Data transfer up to 400MBytes/s with DQS
- ◆ Allows XIP(eXecute in Place) Operation
 - High speed Read reduce overall XiP instruction fetch time
 - Continuous Read with Wrap further reduce data latency to fill up SoC cache
- ◆ Software/Hardware Write Protection
 - Write protect all/portion of memory via software
 - Enable/Disable protection with WP# Pin
 - Individual Block Protection
- ◆ Data Integrity Check
 - On-chip ECC (1-bit correction every 8-Byte)⁽¹⁾
 - CRC detects accidental changes to raw data
- ◆ Fast Program/Erase Speed
 - Page Program time: 0.18ms typical
 - Sector Erase time: 30ms typical
 - Block Erase time: 0.1/0.2s typical
 - Chip Erase time: 100s typical
- ◆ Flexible Architecture
 - Sector of 4K-Byte
 - Block of 32/64K-Byte
 - Erase/Program Suspend/Resume
- ◆ Low Power Consumption
 - 40μA typical stand-by current
 - 12μA typical power-down current
- ◆ Advanced Security Features
 - 128-bit Unique ID
 - 4K-Byte Security Registers With OTP Lock
- ◆ Single Power Supply Voltage
 - Full voltage range: 1.65~2.0V
- ◆ Endurance and Data Retention
 - Minimum 100,000 Program/Erase Cycles
 - 20-year data retention typical
- ◆ Package Information
 - TFBGA-24ball (5x5 Ball Array)
 - SOP16 300mil

Note:

1. When ECC is enabled, it is required to program minimum one or multiple aligned 8-Byte granularities. Every aligned 8-Byte granularity should only be programmed once before Erase to ensure correct ECC operations.

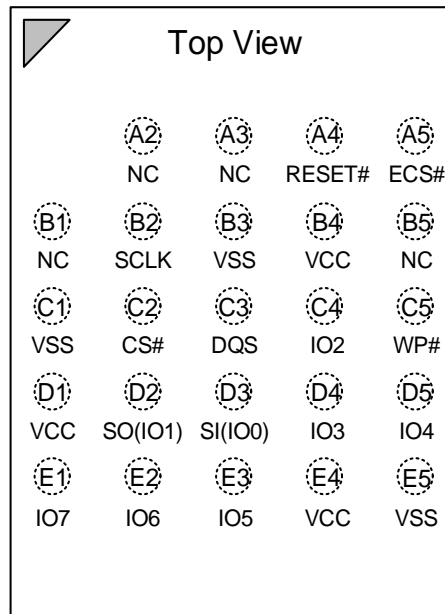


2 GENERAL DESCRIPTIONS

The GD55LX01GE (1G-bit) Serial NOR flash supports the standard Serial Peripheral Interface (SPI), and supports the Octal SPI and DTR mode: Serial Clock, Chip Select, Serial Data I/O0 (SI), I/O1 (SO), I/O2, I/O3, I/O4, I/O5, I/O6, I/O7, WP#, DQS, ECS# and RESET#. The Octal I/O & Octal output data is transferred with speed of 200MBytes/s, and the DTR Octal I/O data is transferred with speed of 400MBytes/s.

CONNECTION DIAGRAM AND PIN DESCRIPTION

Figure 1 Connection Diagram for TFBGA24 5x5 ball array package



24-BALL TFBGA (5x5 ball array)

Table 1 Ball Description for TFBGA24 5x5 ball array package

Pin No.	Pin Name	I/O	Description
A4	RESET#	I	Reset Input
A5	ECS#	O	ECC Correction Signal (Open Drain)
B2	SCLK	I	Serial Clock Input
B3/C1/E5	VSS		Ground
B4/D1/E4	VCC		Power Supply
C2	CS#	I	Chip Select Input
C3	DQS	O	Data Strobe Signal Output
C4	IO2	I/O	Data Input Output 2
C5	WP#	I	Write Protect Input
D2	SO (IO1)	I/O	Data Output (Data Input Output 1)
D3	SI (IO0)	I/O	Data Input (Data Input Output 0)
D4	IO3	I/O	Data Input Output 3
D5	IO4	I/O	Data Input Output 4
E1	IO7	I/O	Data Input Output 7



E2	IO6	I/O	Data Input Output 6
E3	IO5	I/O	Data Input Output 5

Note:

1. CS# must be driven high if chip is not selected. Please don't leave CS# floating any time after power is on.
2. The NC ball is not connected to any internal signal. It is OK to connect it to the system ground (GND) or leave it floating.
3. The RESET# pin is a dedicated hardware reset pin regardless of device settings or operation states. If the hardware reset function is not used, it is recommended to connect it to VCC in the system but leaving it floating is OK.
4. All the three sets of VCC/VSS must be connected.
5. If WP# is unused, it is recommended to connect it to VCC in the system but leaving it floating is OK.

Figure 2 Connection Diagram for SOP16 package

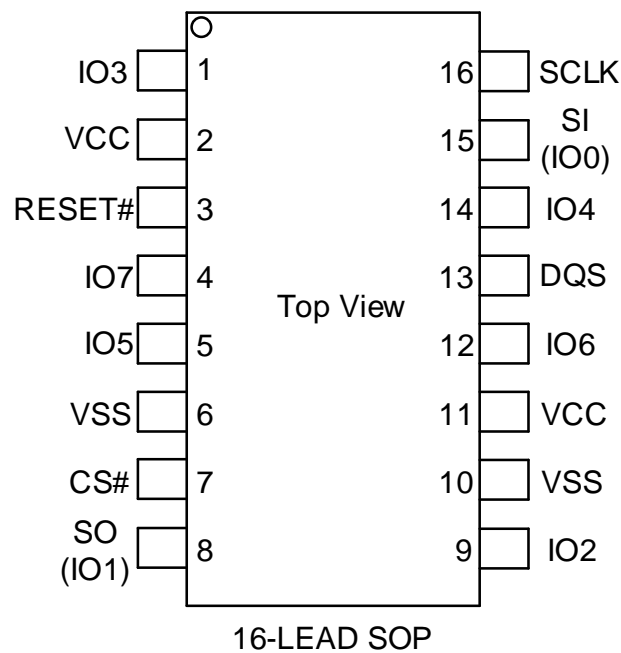


Table 2 Pin Description for SOP16 300mil package

Pin No.	Pin Name	I/O	Description
1	IO3	I/O	Data Input Output 3
2	VCC		Power Supply
3	RESET#	I	Reset Input
4	IO7	I/O	Data Input Output 7
5	IO5	I/O	Data Input Output 5
6	VSS		Ground
7	CS#	I	Chip Select Input
8	SO (IO1)	I/O	Data Output (Data Input Output 1)
9	IO2	I/O	Data Input Output 2
10	VSS		Ground
11	VCC		Power Supply
12	IO6	I/O	Data Input Output 6



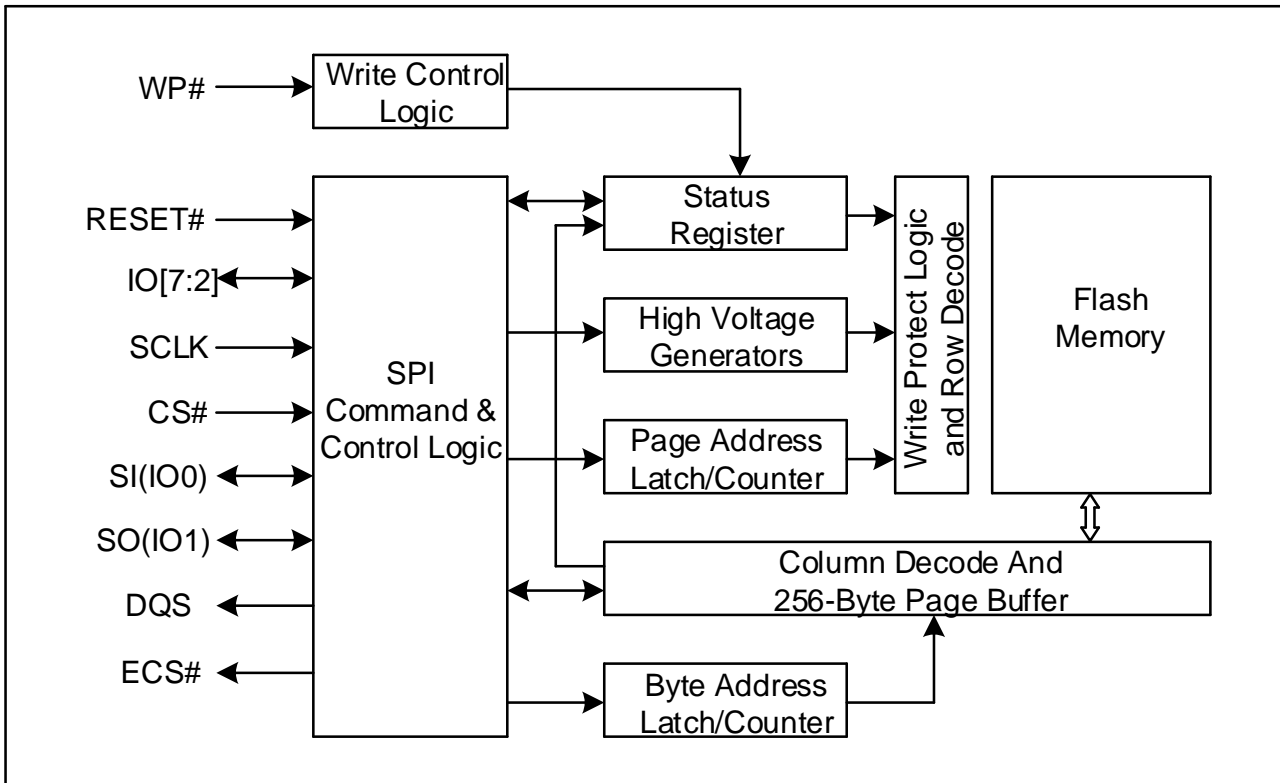
13	DQS	O	Data Strobe Signal Output
14	IO4	I/O	Data Input Output 4
15	SI (IO0)	I/O	Data Input (Data Input Output 0)
16	SCLK	I	Serial Clock Input

Note:

1. CS# must be driven high if chip is not selected. Please don't leave CS# floating any time after power is on.
2. The RESET# pin is a dedicated hardware reset pin regardless of device settings or operation states. If the hardware reset function is not used, it is recommended to connect it to VCC in the system but leaving it floating is OK.
3. Both two sets of VCC/VSS must be connected.



BLOCK DIAGRAM





3 MEMORY ORGANIZATION

GD55LX01GE

Each device has	Each block has	Each sector has	Each page has	
128M	64/32K	4K	256	Bytes
512K	256/128	16	-	pages
32K	16/8	-	-	sectors
2K/4K	-	-	-	blocks

UNIFORM BLOCK SECTOR ARCHITECTURE

GD55LX01GE 64K Bytes Block Sector Architecture

Block	Sector	Address range	
2047	32767	7FFF000H	7FFFFFFFH

	32752	7FF0000H	7FF0FFFH
2046	32751	7FEF000H	7FEFFFFH

	32736	7FE0000H	7FE0FFFH
.....

.....

2	47	02F000H	02FFFFH

	32	020000H	020FFFH
1	31	01F000H	01FFFFH

	16	010000H	010FFFH
0	15	00F000H	00FFFFH

	0	000000H	000FFFH



4 DEVICE OPERATIONS

4.1 SPI Mode

Standard SPI

The GD55LX01GE features a serial peripheral interface on 4 signals bus: Serial Clock (SCLK), Chip Select (CS#), Serial Data Input (SI) and Serial Data Output (SO). Both SPI bus mode 0 and 3 are supported. Input data is latched on the rising edge of SCLK and data shifts out on the falling edge of SCLK.

Octal SPI

The GD55LX01GE supports Octal SPI operation when using the “Octal Output Fast Read”, “Octal I/O Fast Read”, “Octal Input Page Program, Extended Octal Input Fast Program” (8BH/7CH, CBH/CCH, 82H/84H, C2H/8EH) commands. These commands allow data to be transferred to or from the device at eight times the rate of the standard SPI. When using the Octal SPI command the SI and SO pins become bidirectional I/O pins: IO0 and IO1.

Octal DTR SPI

The GD55LX01GE supports DTR Octal SPI operation when using the “DTR Octal I/O Fast Read” (FDH) command. This command allows data to be transferred to or from the device at sixteen times the rate of the standard SPI, and data output will be latched on both rising and falling edges of the serial clock. When using the DTR Octal SPI command the SI and SO pins become bidirectional I/O pins: IO0 and IO1.

4.2 OPI Mode

Standard OPI

The GD55LX01GE supports Octal Peripheral Interface (OPI) operations only when the device is switched to OPI mode by setting Byte<0> in Nonvolatile/Volatile Configuration Register. The OPI mode utilizes all 8 IO pins to input the command code. Input data is latched on the rising edge of SCLK and data shifts out on the falling edge of SCLK. Only one mode can be active at any given times. Upon power-up or hardware reset or after software reset using “Enable Reset (66H) and Reset (99H)” command, the state of the device is defined by the setting of Byte<0> in Nonvolatile Configuration Register.

DTR OPI

The GD55LX01GE supports DTR OPI operation when the device is switched to DTR OPI mode by setting Byte<0> in Nonvolatile/Volatile Configuration Register. The data input/output will be latched on both rising and falling edges of the serial clock. Only one mode can be active at any given times. Upon power-up or hardware reset or after software reset using “Enable Reset (66H) and Reset (99H)” command, the state of the device is defined by the setting of Byte<0> in Nonvolatile Configuration Register.

4.3 RESET Function

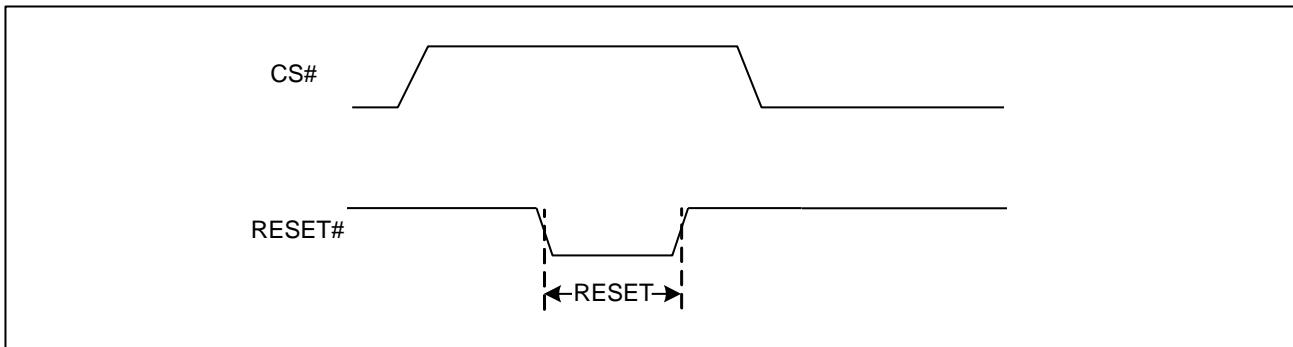
The RESET# pin allows the device to be reset by the control.

The RESET# pin goes low for a minimum period of tRLRH will reset the flash. After reset cycle, the flash is at the following states:

- Standby mode
- All the volatile bits will return to the default status as power on.



Figure 3 RESET Condition



4.4 ECC Function

The ECC Correction Signal (ECS#) pin is provided to the system hardware designers to determine the ECC status during any Read operation. The ECS# pin will be pulled low during any 8-Byte Read data output period in which an ECC event has occurred. ECS# pin can be used to represent SEC (Single Error Correction) event. ECC Correction Signal Output pin is an Open-Drain connection.

4.5 Data Strobe Function

The Data Strobe function is enabled as default for this device, and the DQS pin is an active output pin for the Data Strobe (DQS) signal during Read operations. The DQS signal is typically used in high speed applications to indicate when the output data is ready to be fetched by the controllers. When the data strobe function is enabled, DQS signal is driven to ground once CS# goes LOW, and will start to toggle when the output data is ready on the I/O pins. The toggling frequency is the same as the CLK frequency. For STR Read operations, the data should only be latched on the rising edge of DQS signal. For DTR Read operations, the data should be latched on both rising edge and falling edge of the DQS signal. The Data Strobe function can also be disabled by setting the non-volatile or volatile Configuration Register Byte<0>. Please refer to the Configuration Register description for details. When disabled, the DQS signal is not driven and will stay at Hi-Z state.



5 DATA PROTECTION

The GD55LX01GE provide the following data protection methods:

- ◆ Write Enable (WREN) command: The WREN command is set the Write Enable Latch bit (WEL). The WEL bit will return to reset by the following situation:
 - Power-Up/ Hardware Reset/ Software reset (66H+99H)
 - Write Disable (WRDI)
 - Write Status Register (WRSR)
 - Write Extended Address Register (WEAR)
 - Write Nonvolatile Configuration Register (WNVCR)
 - Write Volatile Configuration Register (WVCR)
 - Page Program (PP)
 - Sector Erase (SE) / Block Erase (BE) / Chip Erase (CE)
 - Erase Security Registers / Program Security Registers
- ◆ Software Protection Mode:
 - The Block Protect (BP4, BP3, BP2, BP1, and BP0) bits define the section of the memory array that can be read but cannot be changed.
 - Individual Block Protection bit provides the protection selection of each individual block.
- ◆ Hardware Protection Mode: WP# goes low to protect the BP0~BP4 bits and SRP0 bit.
- ◆ Deep Power-Down Mode: In Deep Power-Down Mode, all commands are ignored except the Release from Deep Power-Down Mode command and reset command (66H+99H).

Table 3 GD55LX01GE Block Protected area size

Status Register Content					Memory Content			
BP4	BP3	BP2	BP1	BP0	Blocks	Addresses	Density	Portion
X	0	0	0	0	NONE	NONE	NONE	NONE
0	0	0	0	1	2047	07FF0000h-07FFFFFFh	64KB	Upper 1/2048
0	0	0	1	0	2046 to 2047	07FE0000h-07FFFFFFh	128KB	Upper 1/1024
0	0	0	1	1	2044 to 2047	07FC0000h-07FFFFFFh	256KB	Upper 1/512
0	0	1	0	0	2040 to 2047	07F80000h-07FFFFFFh	512KB	Upper 1/256
0	0	1	0	1	2032 to 2047	07F00000h-07FFFFFFh	1MB	Upper 1/128
0	0	1	1	0	2016 to 2047	07E00000h-07FFFFFFh	2MB	Upper 1/64
0	0	1	1	1	1984 to 2047	07C00000h-07FFFFFFh	4MB	Upper 1/32
0	1	0	0	0	1920 to 2047	07800000h-07FFFFFFh	8MB	Upper 1/16
0	1	0	0	1	1792 to 2047	07000000h-07FFFFFFh	16MB	Upper 1/8
0	1	0	1	0	1536 to 2047	06000000h-07FFFFFFh	32MB	Upper 1/4
0	1	0	1	1	1024 to 2047	04000000h-07FFFFFFh	64MB	Upper 1/2
1	0	0	0	1	0	00000000h-0000FFFFh	64KB	Lower 1/2048
1	0	0	1	0	0 to 1	00000000h-0001FFFFh	128KB	Lower 1/1024
1	0	0	1	1	0 to 3	00000000h-0003FFFFh	256KB	Lower 1/512
1	0	1	0	0	0 to 7	00000000h-0007FFFFh	512KB	Lower 1/256
1	0	1	0	1	0 to 15	00000000h-000FFFFFFh	1MB	Lower 1/128



1	0	1	1	0	0 to 31	00000000h-001FFFFFFh	2MB	Lower 1/64
1	0	1	1	1	0 to 63	00000000h-003FFFFFFh	4MB	Lower 1/32
1	1	0	0	0	0 to 127	00000000h-007FFFFFFh	8MB	Lower 1/16
1	1	0	0	1	0 to 255	00000000h-00FFFFFFh	16MB	Lower 1/8
1	1	0	1	0	0 to 511	00000000h-01FFFFFFh	32MB	Lower 1/4
1	1	0	1	1	0 to 1023	00000000h-03FFFFFFh	64MB	Lower 1/2
X	1	1	X	X	ALL	00000000h-07FFFFFFh	128MB	ALL

Table 4 GD55LX01GE Individual Block Protection (WPS=0)

Block	Sector	Address range		Individual Block Lock Operation
2047	32767	07FF F000h	07FF FFFFh	2048 Blocks Block Lock: 36H+Address Block Unlock: 39H+Address Read Block Lock: 3DH+Address Global Block Lock: 7EH Global Block Unlock: 98H
	
	32752	07FF 0000h	07FF 0FFFh	
2046	32736~32751	07FE 0000h	07FE FFFFh	
.....	
.....	
.....	
1	16~31	0001 0000h	0001 FFFFh	
0	15	0000 F000h	0000 FFFFh	
	
	0	0000 0000h	0000 0FFFh	

Notes:

1. Protection configuration: This bit is used to select which Write Protect scheme should be used.
2. Individual Block Protection bits are volatile lock bits. Each volatile bit corresponds to and provides volatile protection for an individual memory sector, which is locked temporarily (protection is cleared when the device is reset or powered down).
3. The first and last sectors will have volatile protections at the 4KB sector level. Each 4KB sector in these sectors can be individually locked by volatile lock bits setting.



6 DATA INTEGRITY CHECK

The data storage and transmission errors will cause unexpected Flash device variation that makes a harmful impact on overall system functions. To prevent these errors, GD55LX01GE product provides advanced Data Integrity Check function. For the data storage and data transmission in the flash device, Data Integrity Check can check errors and correct them, allowing self-checking and preventing errors in advance.

The Data Integrity Check function includes two methods:

- **ECC (Error Checking and Correcting): to prevent the data storage errors**
- **CRC (Cyclic Redundancy Check): to prevent the data transmission errors**

The register data and software signals can also be used to associate the Data Integrity Check function to fully record the results of checking, and can also immediately feedback.

6.1 ECC (Error Checking and Correcting)

Error Correction Codes (ECC) is a commonly used technique in non-volatile memory to reduce the device Bit Error Rate (BER) during the device operation life and improve device reliability. To achieve error detection and correction, redundancy data must be added to store the ECC calculation results for a given length of data. In GD55LX01GE, every aligned 8-Byte data (A[2:0] = 0, 0, 0) stored in the memory array will be checked by the internal ECC engine using SEC (Single Error Correction) Hsiao Codes algorithm. With 8-Byte ECC data granularity, ECC calculation latency time can be minimized and highest level of data integrity can be preserved.

The default value of all memory data is FFH (Erased) when the device is shipped from the factory. A “Page Program (02H/12H)” or “Octal Page Program (82H/84H)” or “Extend Octal Page Program (C2H/8EH)” command can be used to program the user data into the memory array. When ECC is enabled, ECC calculation will be performed during the internal programming operation and the results are stored in the redundancy or spare area of the memory array. It is necessary to program every page in aligned 8-Byte granularity so that ECC engine can store and preserve the correct ECC information. Multiple programming attempts to previously programmed 8-Byte aligned memory will disable the internal ECC engine. Once the 8-Byte aligned memory chunk internal ECC is disabled, read memory access will only be directed to the memory array without error correction. An Erase is required to recover back ECC enable of these affected 8-Byte aligned memories. A technique previously known as “Incremental Byte/Bit Programming to the same Byte location” can be used for GD55LX01GE when ECC is enabled; however, the 8-Byte aligned memory locations that were attempted with multiple programming will have ECC disabled and read operation will only access the memory array without ECC.

A Read operation can start from any Byte address and continue through the entire memory array, so it is not necessary to align the 8-Byte granularity boundary address to start a Read command. During data read operations, the internal ECC engine will check the ECC results stored in the spare area and apply necessary error correction or error detection to the main array data being read out. It is necessary to check the ECC Status Bits (SEC) in the Status Register after every Read operation to see if the data read out contains error(s) or not.

Additional hardware monitoring of the ECC status can also be used to observe the ECC status in real time during any data output. When configured, the ECS# (ECC Correction Signal) pin will be pulled low during any aligned 8-Byte data output if it contains SEC event.

The SEC bit can be reset through anyone of the following situations:

- Sending a new Read Command
- Issuing Software Reset Command
- Hardware Reset
- Power-up cycle



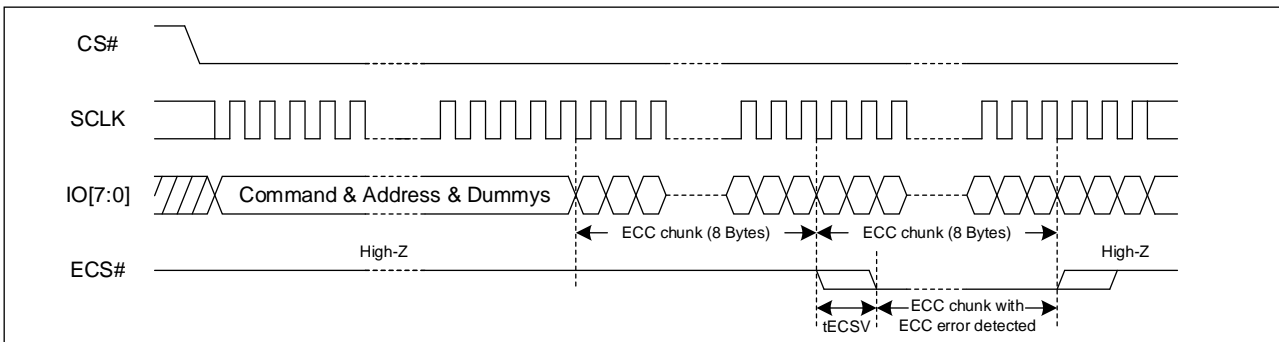
When an address range is erased, the target memory and the stored ECC data is reverted to its erased FFH state as well as clear the double programmed states.

6.2 ECS# (Error corrected Signal) Pin

The ECS# pin is a real time hardware signal to feedback the ECC correction status. The ECS# pin is designed as an open drain structure and a pull-up resistor (R_p) is required. In normal situation, the ECS# is kept on High-Z state. Once error correction begins, the ECS# pin will pull low during the whole ECC chunk unit after a duration of t_{ECSV} delay timing.

The ECS# (ECC Correction Signal) pin will be pulled low during any aligned 8-Byte data output if it contains SEC (Single Error Correction) event.

Figure 4. ECS# Timing



6.3 Parity Check (CRC)

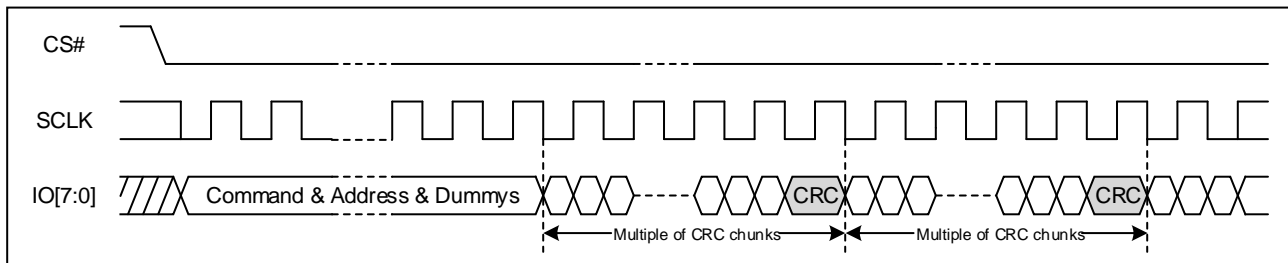
The parity check function can only be operated in DTR read mode, and it is not supported in STR mode. The bit7~6 in Byte<4> of the Configuration Register can set the parity check function.

For read operation after the Parity check function is enabled, the data CRC bit should be output by each CRC chunk unit. Otherwise, read CRC code might be error.

The CRC Chunk size can be configured as 16-Byte, 32-Byte, or 64-Byte by the Configuration Register setting. However, when the device enters the “Read with Wrap” mode, while the CRC function is also enabled, and the CRC Chunk size will be set to be identical with the Wrap Length (16-Byte, 32-Byte, or 64-Byte) by internal circuitry. Only when the device is not in the “Read with Wrap” mode, the original CRC Chunk size setting will be restored.

The data CRC Bytes are calculated by exclusive-OR on each I/O bus in the CRC chunk.

Figure 5. CRC Timing





7 REGISTERS

7.1 Status Register

Table 5. Status Register

No.	Bit Name	Description	Note
S7	SRP0	Status Register Protection	Non-volatile writable
S6	BP4	Block Protect Bits	Non-volatile writable
S5	BP3	Block Protect Bits	Non-volatile writable
S4	BP2	Block Protect Bits	Non-volatile writable
S3	BP1	Block Protect Bits	Non-volatile writable
S2	BP0	Block Protect Bits	Non-volatile writable
S1	WEL	Write Enable Latch	Volatile, read only
S0	WIP	Erase/Write In Progress	Volatile, read only

The status and control bits of the Status Register are as follows:

WIP bit

The Write in Progress (WIP) bit indicates whether the memory is busy in program/erase/write status register or configuration register progress. When WIP bit sets to 1, means the device is busy in program/erase/write status register or configuration register progress, when WIP bit sets 0, means the device is not in program/erase/write status register or configuration register progress.

WEL bit

The Write Enable Latch (WEL) bit indicates the status of the internal Write Enable Latch. When set to 1 the internal Write Enable Latch is set, when set to 0 the internal Write Enable Latch is reset and no Write, Program or Erase command is accepted.

BP4, BP3, BP2, BP1, BP0 bits

The Block Protect (BP4, BP3, BP2, BP1, and BP0) bits are non-volatile. They define the size of the area to be software protected against Program and Erase commands. These bits are written with the Write Status Register (WRSR) command. When the Block Protect (BP4, BP3, BP2, BP1, and BP0) bits are set to 1, the relevant memory area becomes protected against Page Program (PP), Sector Erase (SE) and Block Erase (BE) commands. The Block Protect (BP4, BP3, BP2, BP1, and BP0) bits can be written provided that the Hardware Protected mode has not been set. The Chip Erase (CE) command is executed only if none sector or block is protected.

SRP0 bit

The Status Register Protect SRP0 bit are non-volatile Read/Write bits in the status register. The SRP0 bit in conjunction with SRP1 bit (Reference Configuration Register) control the method of write protection: software protection, hardware protection, power supply lock-down or one time programmable protection.

SRP1	SRP0	WP#	Status Register	Description
X	0	X	Software Protected	The Status Register can be written to after a Write Enable command, WEL=1. (Default)



0	1	0	Hardware Protected	WP#=0, the Status Register locked and cannot be written to.
0	1	1	Hardware Unprotected	WP#=1, the Status Register is unlocked and can be written to after a Write Enable command, WEL=1.
1	1	X	One Time Program ⁽¹⁾	Status Register is permanently protected and cannot be written to.

NOTE:

1. This feature is available on special order. Please contact GigaDevice for details.

7.2 Flag Status Register

Table 6. Flag Status Register

No.	Bit Name	Description	Note
FS7	RY/BY#	Ready/Busy#	Volatile, read only
FS6	SUS1	Erase Suspend	Volatile, read only
FS5	EE	Erase Error bit	Volatile, read only
FS4	PE	Program Error bit	Volatile, read only
FS3	Reserved	Reserved	Volatile, read only
FS2	SUS2	Program Suspend	Volatile, read only
FS1	PTE	Protection Error bit	Volatile, read only
FS0	ADS	Current Address Mode	Volatile, read only

The status and control bits of the Flag Status Register are as follows:

ADS bit

The Address Status (ADS) bit is a read only bit that indicates the current address mode the device is operating in. The device is in 3-Byte address mode when ADS=0 (default), and in 4-Byte address mode when ADS=1.

PTE bit

The PTE bit is a read only bit that indicates a program or erase failure. Indicates whether an ERASE or PROGRAM operation has attempted to modify the protected array sector, or whether a PROGRAM operation has attempted to access the locked OTP space. PTE is cleared to "0" after program or erase operation resumes or by Clear Flag Status Register command (30H).

SUS1, SUS2 bits

The SUS1 and SUS2 bits are read only bit in the Flag Status Register (FS6 and FS2) that are set to 1 after executing an Erase/Program Suspend (75H) command (The Erase Suspend will set the SUS1 to 1, and the Program Suspend will set the SUS2 to 1). The SUS1 and SUS2 bits are cleared to 0 by Erase/Program Resume (7AH) command, hardware reset, software reset (66H+99H) command as well as a power-down, power-up cycle.

PE bit

The Program Error (PE) bit is a read only bit that indicates a program failure. It will also be set when the user attempts to program a protected array sector or access the locked OTP space. PE is cleared to "0" after program or erase operation resumes or by Clear Flag Status Register command (30H).



EE bit

The Erase Error (EE) bit is a read only bit that indicates an erase failure. It will also be set when the user attempts to erase a protected array sector or access the locked OTP space. EE is cleared to "0" after erase or program operation resumes or by Clear Flag Status Register command (30H).

RY/BY# bit

The RY/BY# bit is a read only bit that indicates Program or Erase Status bit. Indicates whether one of the following command cycles is in progress: WRITE STATUS REGISTER, WRITE NONVOLATILE CONFIGURATION REGISTER, PROGRAM, or ERASE.

7.3 Extended Address Register

Table 7 Extended Address Register

No.	Name	Description	Note
EA7	SEC	Single Error Correction Bit	Volatile, read only
EA6	Reserved	Reserved	Reserved
EA5	Reserved	Reserved	Reserved
EA4	Reserved	Reserved	Reserved
EA3	Reserved	Reserved	Reserved
EA2	A26	Address bit	Volatile writable
EA1	A25	Address bit	Volatile writable
EA0	A24	Address bit	Volatile writable

The extended address register is only used when the address mode is 3-Byte mode, as to set the higher address. The default value of the address bit is "0".

For the read operation, the whole array can be continually read out with one command. Data output starts from the selected 128Mb, and it can cross the boundary. When the last Byte of the segment is reached, the next Byte (in a continuous reading) is the first Byte of the next segment. However, the EAR (Extended Address Register) value does not change. The random access reading can only be operated in the selected segment.

The Chip erase command will erase the whole chip and is not limited by EAR selected segment. However, the sector erase, block erase, program operation are limited in selected segment and will not cross the boundary.

A26, A25, A24 bits

The Extended Address Bits are used only when the device is operating in the 3-Byte Address Mode (ADS=0), which is volatile writable by C5H command.

If Configuration Register Byte <5> set to FEH, or an "Enter 4-Byte Address Mode (B7H)" instruction is issued, the device will require 4-Byte address input for all address related instructions, and the Extended Address Bit setting will be ignored.

A26, A25, A24	Address
000	0000 0000h-00FF FFFFh
001	0100 0000h-01FF FFFFh
010	0200 0000h-02FF FFFFh
011	0300 0000h-03FF FFFFh



100	0400 0000h-04FF FFFFh
101	0500 0000h-05FF FFFFh
110	0600 0000h-06FF FFFFh
111	0700 0000h-07FF FFFFh

SEC bit

SEC (Single Error Correction) Status Bit are used to show the ECC results for the last Read operation. SEC bit will be cleared to 0 once the device accepts a new Read command.

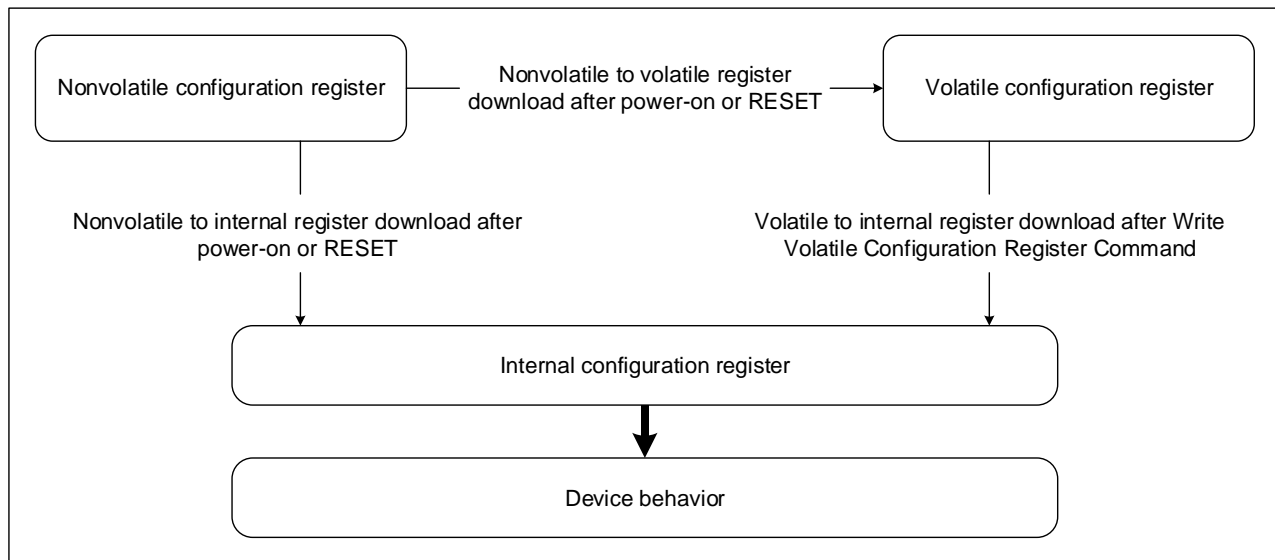
SEC	Definitions
0	No ECC events in all aligned 8-Byte granularities
1	SEC events in single or multiple 8-Byte granularities, and the data is OK to use. (Unless it contains more than one odd bit errors in 8-Byte granularity)



8 INTERNAL CONFIGURATION REGISTER

The memory configuration is set by an internal configuration register that is not directly accessible to users. The user can change the default configuration at power up by using the WRITE NONVOLATILE CONFIGURATION REGISTER. Information from the nonvolatile configuration register overwrites the internal configuration register during power on or after a reset.

The user can change the configuration during device operation using the WRITE VOLATILE CONFIGURATION REGISTER command. Information from the volatile configuration registers overwrite the internal configuration register immediately after the WRITE command completes.



8.1 Nonvolatile Configuration Register

Nonvolatile Configuration Register bits set the device configuration after power-up or reset. All bits are erased (FFh) unless stated otherwise. This register is read from and written to using the READ NONVOLATILE CONFIGURATION REGISTER and the WRITE NONVOLATILE CONFIGURATION REGISTER commands, respectively. The commands use the main array address scheme, but only the LSB is used to access different register settings, thereby providing up to 256 Bytes of registers (See the table below for the details). A WRITE command to a reserved address will set the device to the default status of the corresponding Byte.

Table 8 Nonvolatile Configuration Register

Addr	Settings	bit7	bit6	bit5	bit4	bit3	bit2	bit1	bit0	Description
<0>	I/O mode	1	1	1	1	1	1	1	1	SPI with DQS (Default)
		1	1	0	1	1	1	1	1	SPI W/O DQS
		1	1	1	0	0	1	1	1	Octal DTR with DQS
		1	1	0	0	0	1	1	1	Octal DTR W/O DQS
		1	0	1	1	0	1	1	1	Octal STR with DQS
		1	0	0	1	0	1	1	1	Octal STR W/O DQS
		Others								



<1>	Dummy cycle configuration ⁽⁶⁻⁷⁾	0	0	0	0	0	0	1	1	3 Dummy
		0	0	0	0	0	1	0	0	4 Dummy
		05~1E: 5~30 Dummy (Default=10h)
		Others								Reserved
<2>	OTP configuration	x	x	x	x	x	x	x	0	Security Registers Unlocked (Default)
		x	x	x	x	x	x	x	1	Security Registers Locked
		x	x	x	0	x	x	x	x	SRP1 Unlocked (Default)
		x	x	x	1	x	x	x	x	SRP1 Locked ⁽¹¹⁾
		Others								Reserved
<3>	Driver Strength configuration	1	1	1	1	1	1	1	1	50 Ohm (Default)
		1	1	1	1	1	1	1	0	35 Ohm
		1	1	1	1	1	1	0	1	25 Ohm
		1	1	1	1	1	1	0	0	18 Ohm
		Others								Reserved
<4>	CRC configuration	1	1	x	x	x	x	x	x	CRC Disabled (Default)
		1	0	x	x	x	x	x	x	16-Byte CRC
		0	1	x	x	x	x	x	x	32-Byte CRC
		0	0	x	x	x	x	x	x	64-Byte CRC
	On die termination	x	x	1	1	x	x	x	x	ODT Disabled (Default)
		x	x	1	0	x	x	x	x	150-Ohm ODT
		x	x	0	1	x	x	x	x	100-Ohm ODT
		x	x	0	0	x	x	x	x	50-Ohm ODT
	DLP configuration	x	x	x	x	1	x	x	x	DLP Disabled (Default)
		x	x	x	x	0	x	x	x	DLP Enabled
	Protection configuration	x	x	x	x	x	1	x	x	BP Protection (Default)
		x	x	x	x	x	0	x	x	WPS Protection ⁽⁸⁾
	ECC configuration	x	x	x	x	x	x	x	1	ECC Enabled (Default)
		x	x	x	x	x	x	x	0	ECC Disabled
	Others								Reserved	
	<5>	Beyond 128Mb addr configuration	1	1	1	1	1	1	1	1
1			1	1	1	1	1	1	0	4-Byte Address
Others								Reserved		
<6>	Continuous Read configuration ⁽⁹⁾	1	1	1	1	1	1	1	1	XIP Disabled (Default)
		1	1	1	1	1	1	1	0	XIP Enabled
		Others								Reserved
<7>	Wrap configuration ⁽¹⁰⁾	1	1	1	1	1	1	1	1	Wrap Disabled (Default)
		1	1	1	1	1	1	1	0	64-Byte Wrap
		1	1	1	1	1	1	0	1	32-Byte Wrap
		1	1	1	1	1	1	0	0	16-Byte Wrap
		Others								Reserved



Notes:

1. The number of cycles must be set to accord with the clock frequency, which varies by the type of FAST READ command (See Supported Clock Frequencies table). Insufficient dummy clock cycles for the operating frequency causes the memory to read incorrect data.
2. 03H/13H: SPI 0 dummy; OPI&DTR N/A
3. 05H/70H/9EH/9FH: SPI 0dummy; OPI&DTR 8 dummy.
4. 3DH: SPI 0dummy; OPI&DTR 8 dummy.
5. 4BH/5AH/B5H/85H: SPI&OPI&DTR 8 dummy.
6. 0BH/0CH/8BH/7CH/48H: SPI 8 dummy; OPI&DTR dummy follow CONFIGURATION REGISTER<1> (initiation = 16 dummy)
7. CBH/CCH/FDH: SPI&OPI&DTR dummy follow CONFIGURATION REGISTER<1> (initiation = 16 dummy)
8. When WPS protection is enabled, the entire memory array is being protected after Power-up or Reset.
9. Only Octal I/O Fast Read (CBH/CCH) and DTR Octal I/O Fast Read (FDH) support Continuous Read.
10. Only Octal I/O Fast Read (CBH/CCH) and DTR Octal I/O Fast Read (FDH) support Wrap read.
11. This feature is available on special order. Please contact GigaDevice for details.

8.2 Volatile Configuration Register

Volatile Configuration Register bits temporarily set the device configuration after power-up or reset. All bits are erased (FFh) unless stated otherwise. This register is read from and written to using the READ VOLATILE CONFIGURATION REGISTER and the WRITE VOLATILE CONFIGURATION REGISTER commands, respectively. The commands use the main array address scheme; however, only the LSB is used to access different register settings to provide up to 256 Bytes of registers (See the table below for the details). A WRITE command to a reserved address will set the device to the default status of the corresponding Byte.

Table 9 Volatile Configuration Register

Addr	Settings	bit7	bit6	bit5	bit4	bit3	bit2	bit1	bit0	Description
<0>	I/O mode	1	1	1	1	1	1	1	1	SPI with DQS (Default)
		1	1	0	1	1	1	1	1	SPI W/O DQS
		1	1	1	0	0	1	1	1	Octal DTR with DQS
		1	1	0	0	0	1	1	1	Octal DTR W/O DQS
		1	0	1	1	0	1	1	1	Octal STR with DQS
		1	0	0	1	0	1	1	1	Octal STR W/O DQS
		Others								
<1>	Dummy cycle configuration ⁽⁶⁻⁷⁾	0	0	0	0	0	0	1	1	3 Dummy
		0	0	0	0	0	1	0	0	4 Dummy
		05~1E: 5~30 Dummy (Default=10h)
		Others								
<3>	Driver Strength configuration	1	1	1	1	1	1	1	1	50 Ohm (Default)
		1	1	1	1	1	1	1	0	35 Ohm
		1	1	1	1	1	1	0	1	25 Ohm



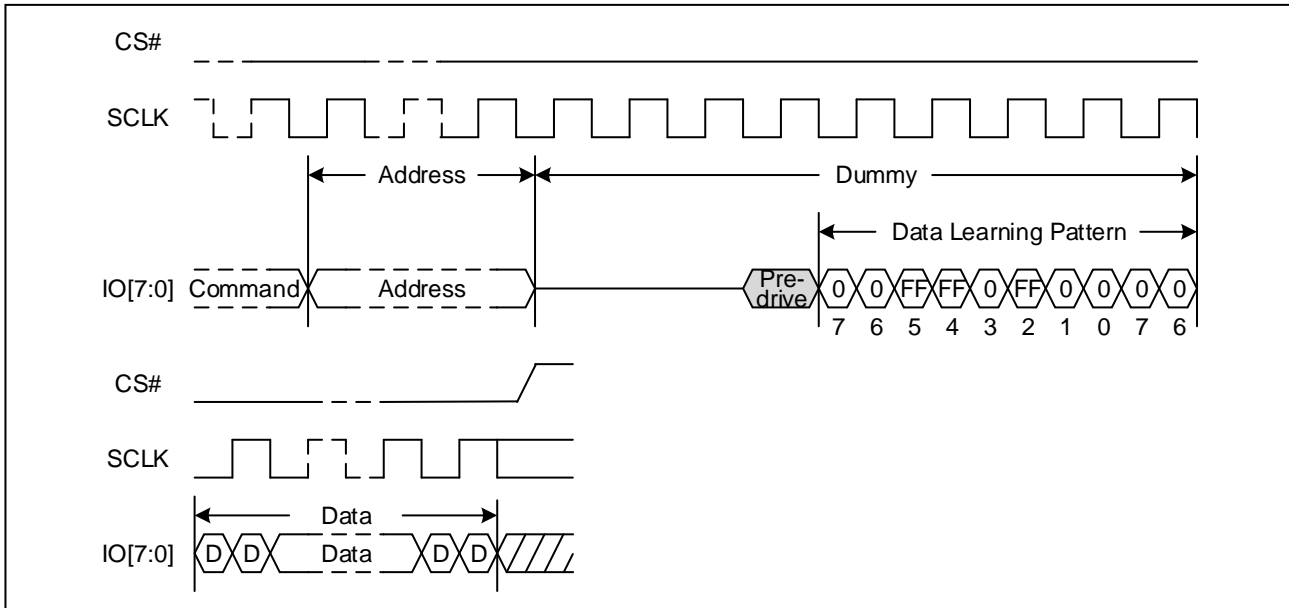
		1	1	1	1	1	1	0	0	18 Ohm
		Others								Reserved
<4>	CRC configuration	1	1	x	x	x	x	x	x	CRC Disabled (Default)
		1	0	x	x	x	x	x	x	16-Byte CRC
		0	1	x	x	x	x	x	x	32-Byte CRC
		0	0	x	x	x	x	x	x	64-Byte CRC
	On die termination	x	x	1	1	x	x	x	x	ODT Disabled (Default)
		x	x	1	0	x	x	x	x	150-Ohm ODT
		x	x	0	1	x	x	x	x	100-Ohm ODT
		x	x	0	0	x	x	x	x	50-Ohm ODT
	DLP configuration	x	x	x	x	1	x	x	x	DLP Disabled (Default)
		x	x	x	x	0	x	x	x	DLP Enabled
	Protection configuration	x	x	x	x	x	1	x	x	BP Protection (Default)
		x	x	x	x	x	0	x	x	WPS Protection ⁽⁸⁾
	ECC configuration	x	x	x	x	x	x	x	1	ECC Enabled (Default)
		x	x	x	x	x	x	x	0	ECC Disabled
		Others								Reserved
<5>	Beyond 128Mb addr configuration	1	1	1	1	1	1	1	1	3-Byte Address (Default)
		1	1	1	1	1	1	1	0	4-Byte Address
			Others							
<6>	Continuous Read configuration ⁽⁹⁾	1	1	1	1	1	1	1	1	XIP Disabled (Default)
		1	1	1	1	1	1	1	0	XIP Enabled
			Others							
<7>	Wrap configuration ⁽¹⁰⁾	1	1	1	1	1	1	1	1	Wrap Disabled (Default)
		1	1	1	1	1	1	1	0	64-Byte Wrap
		1	1	1	1	1	1	0	1	32-Byte Wrap
		1	1	1	1	1	1	0	0	16-Byte Wrap
				Others						

Notes:

1. The number of cycles must be set to accord with the clock frequency, which varies by the type of FAST READ command (See Supported Clock Frequencies table). Insufficient dummy clock cycles for the operating frequency causes the memory to read incorrect data.
2. 03H/13H: SPI 0 dummy; OPI&DTR N/A
3. 05H/70H/9EH/9FH: SPI 0dummy; OPI&DTR 8 dummy.
4. 3DH: SPI 0dummy; OPI&DTR 8 dummy.
5. 4BH/5AH/B5H/85H: SPI&OPI&DTR 8 dummy.
6. 0BH/0CH/8BH/7CH/48H: SPI 8 dummy; OPI&DTR dummy follow CONFIGURATION REGISTER<1> (initiation = 16 dummy)
7. CBH/CCH/FDH: SPI&OPI&DTR dummy follow CONFIGURATION REGISTER<1> (initiation = 16 dummy)
8. When WPS protection is enabled, the entire memory array is being protected after Power-up or Reset.
9. Only Octal I/O Fast Read (CBH/CCH) and DTR Octal I/O Fast Read (FDH) support Continuous Read.
10. Only Octal I/O Fast Read (CBH/CCH) and DTR Octal I/O Fast Read (FDH) support Wrap read.

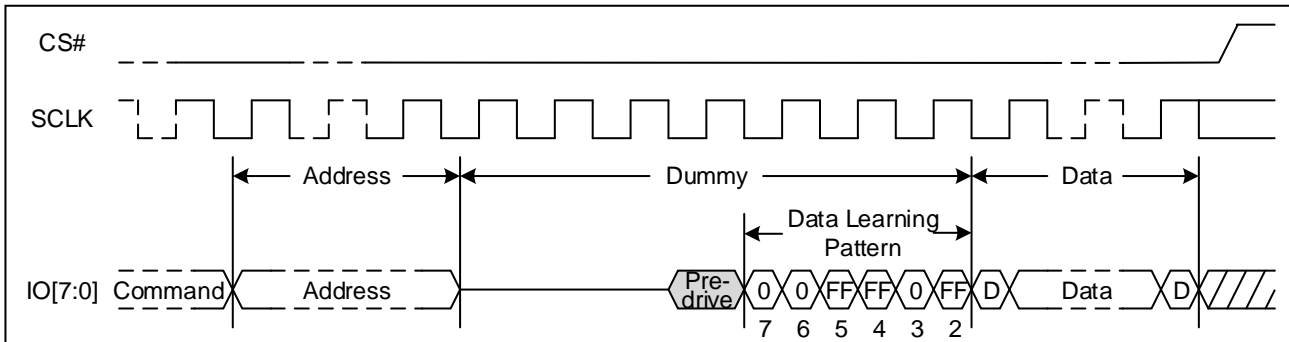


Figure 8. Data Learning Pattern Sequence Diagram (DTR, Dummy Clock ≥ 8)



Note: 9 dummy cycle example

Figure 9. Data Learning Pattern Sequence Diagram (DTR, Dummy Clock < 8)



Note: 7 dummy cycle example

8.3 Supported Clock Frequencies

Table 10 Clock Frequencies of TFBGA-24 (5x5 Ball Array)

Number of Dummy Clock Cycle	Octal I/O FAST READ		OPI DTR
	STR	DTR	
4	40	40	40
6	84	84	84
8	104	104	104
10	133	133	133
12	152	152	152
14	166	166	166
16 and above	200	200	200



Table 11 Clock Frequencies of SOP16 (300mil)

Number of Dummy Clock Cycle	Octal I/O FAST READ		OPI DTR
	STR	DTR	
4	40	40	40
6	84	84	84
8	104	104	104
10	133	133	133
12	152	152	152
14 and above	166	166	166

Note:

1. Values are guaranteed by characterization and not 100% tested in production
2. Dummy clock cycle listed above is recommended. Please contact GigaDevice for clock frequency of dummy clock cycle configuration out of the table above.

8.4 Data Sequence Wraps by Density

Table 12 Sequence of Bytes during Wrap

Starting Address	16-Byte Wrap	32-Byte Wrap	64-Byte Wrap
0	0-1-2-...-15-0-1-..	0-1-2-...-31-0-1-..	0-1-2-...-63-0-1-..
1	1-2-...-15-0-1-2-..	1-2-...-31-0-1-2-..	1-2-...-63-0-1-2-..
....
15	15-0-1-2-3-...-15-0-1-..	15-16-17-...-31-0-1-..	15-16-17-...-63-0-1-..
....	
31	-	31-0-1-2-3-...-31-0-1-..	31-32-33-...-63-0-1-..
...
63	-	-	63-0-1-...-63-0-1-..



9 COMMAND DESCRIPTIONS

All commands, addresses and data are shifted in and out of the device, beginning with the most significant bit on the first rising edge of SCLK after CS# is driven low. Then, the one-Byte command code must be shifted in to the device, with most significant bit first on SI, and each bit is latched on the rising edges of SCLK.

Every command sequence starts with a one-Byte command code. Depending on the command, this might be followed by address Bytes, or by data Bytes, or by both or none. CS# must be driven high after the last bit of the command sequence has been completed. For the command of Read, Fast Read, Read Status Register or Release from Deep Power-Down, and Read Device ID, the shifted-in command sequence is followed by a data-out sequence. All read instruction can be completed after any bit of the data-out sequence is being shifted out, and then CS# must be driven high to return to deselected status.

For the command of Page Program, Sector Erase, Block Erase, Chip Erase, Write Status Register, Write Enable, Write Disable or Deep Power-Down command, CS# must be driven high exactly at a Byte boundary, otherwise the command is rejected, and is not executed. That is CS# must be driven high when the number of clock pulses after CS# being driven low is an exact multiple of eight. For Page Program, if at any time the input Byte is not a full Byte, nothing will happen and WEL will not be reset.

Table 13 Commands (Extended/Octal SPI)

Command name	Code	Extended SPI		Octal SPI			Addr. Bytes	Data Bytes
		CMD-Addr-Data	Dummy Clock Cycles	CMD- Addr-Data (S-S-S)	CMD- Addr-Data (S-D-D)	Dummy Clock Cycles		
Software Reset Operations								
Enable Reset	66H	1-0-0	0	8-0-0	8-0-0	0	0	0
Reset	99H	1-0-0	0	8-0-0	8-0-0	0	0	0
Read ID Operations								
Read Identification	9EH/9FH	1-0-(1)	0	8-0-(8)	8-0-(8d)	8	0	1 to 4
Read Serial Flash Discoverable Parameter	5Ah	1-1-(1)	8	8-8-(8)	8-8d-(8d)	8	3 (STR) 4 (DTR)	1 to ∞
Read Unique ID	4Bh	1-1-(1)	8	8-8-(8)	8-8d-(8d)	8	3(4)	1 to ∞
Read Memory Operations								
Read Data Bytes	03H	1-1-(1)	0	—	—	—	3(4)	1 to ∞
Read Data Bytes at Higher Speed	0BH	1-1-(1)	8	8-8-(8)	8-8d-(8d)	16	3(4)	1 to ∞
Octal Output Fast Read	8BH	1-1-(8)	8	8-8-(8)	8-8d-(8d)	16	3(4)	1 to ∞
Octal I/O Fast Read	CBH	1-8-(8)	16	8-8-(8)	8-8d-(8d)	16	3(4)	1 to ∞



Read Memory Operations with 4-Byte Address								
4-Byte Read Data Bytes	13h	1-1-(1)	0	—	—	—	4	1 to ∞
4-Byte Read Data Bytes at Higher Speed	0Ch	1-1-(1)	8	8-8-(8)	8-8d-(8d)	16	4	1 to ∞
4-Byte Octal Output Fast Read	7Ch	1-1-(8)	8	8-8-(8)	8-8d-(8d)	16	4	1 to ∞
4-Byte Octal I/O Fast Read	CCh	1-8-(8)	16	8-8-(8)	8-8d-(8d)	16	4	1 to ∞
4-Byte Octal I/O DTR Fast Read	FDh	1-8d-(8d)	16	8-8d-(8d)	8-8d-(8d)	16	4	1 to ∞
Write Operations								
Write Enable	06h	1-0-0	0	8-0-0	8-0-0	0	0	0
Write Disable	04h	1-0-0	0	8-0-0	8-0-0	0	0	0
Read Register Operations								
Read Status Register	05H	1-0-(1)	0	8-0-(8)	8-0-(8d)	8	0	1 to ∞
Read Flag Status Register	70H	1-0-(1)	0	8-0-(8)	8-0-(8d)	8	0	1 to ∞
Read Extended Addr. Register	C8H	1-0-(1)	0	8-0-(8)	8-0-(8d)	8	0	1
Read Nonvolatile Configuration Register	B5H	1-1-(1)	8	8-8-(8)	8-8d-(8d)	8	3(4)	1
Read Volatile Configuration Register	85H	1-1-(1)	8	8-8-(8)	8-8d-(8d)	8	3(4)	1
Write Register Operations								
Write Status Register	01H	1-0-1	0	8-0-8	8-0-8	0	0	1
Write Extended Addr. Register	C5H	1-0-1	0	8-0-8	8-0-8	0	0	1
Write Enable for Volatile Status Register	50H	1-0-0	0	8-0-0	8-0-0	0	0	0
Clear Flag Status Register	30H	1-0-0	0	8-0-0	8-0-0	0	0	0
Write Nonvolatile Configuration Register	B1H	1-1-1	0	8-8-8	8-8d-8d	0	3(4)	1



Write Volatile Configuration Register	81H	1-1-1	0	8-8-8	8-8d-8d	0	3(4)	1
Program Operations								
Page Program	02H	1-1-1	0	8-8-8	8-8d-8d	0	3(4)	1 to 256
Octal Page Program	82H	1-1-8	0	8-8-8	8-8d-8d	0	3(4)	1 to 256
Extended Octal Page Program	C2H	1-8-8	0	8-8-8	8-8d-8d	0	3(4)	1 to 256
Program Operations with 4-Byte Address								
4-Byte Page Program	12H	1-1-1	0	8-8-8	8-8d-8d	0	4	1 to 256
4-Byte Octal Page Program	84H	1-1-8	0	8-8-8	8-8d-8d	0	4	1 to 256
4-Byte Extended Octal Page Program	8EH	1-8-8	0	8-8-8	8-8d-8d	0	4	1 to 256
Erase Operations								
Sector Erase	20H	1-1-0	0	8-8-0	8-8d-0	0	3(4)	0
32KB Block Erase	52H	1-1-0	0	8-8-0	8-8d-0	0	3(4)	0
64KB Block Erase	D8H	1-1-0	0	8-8-0	8-8d-0	0	3(4)	0
Chip Erase	C7H/60H	1-0-0	0	8-0-0	8-0-0	0	0	0
Erase Operations with 4-Byte Address								
4-Byte Sector Erase	21H	1-1-0	0	8-8-0	8-8d-0	0	4	0
4-Byte 32KB Block Erase	5CH	1-1-0	0	8-8-0	8-8d-0	0	4	0
4-Byte 64KB Block Erase	DCH	1-1-0	0	8-8-0	8-8d-0	0	4	0
Suspend/Resume Operations								
Program/Erase Suspend	75H	1-0-0	0	8-0-0	8-0-0	0	0	0
Program/Erase Resume	7AH	1-0-0	0	8-0-0	8-0-0	0	0	0
One-Time Programmable(OTP) Operations								
Read Security Registers	48H	1-1-(1)	8	8-8-(8)	8-8d-(8d)	16	3(4)	1 to ∞
Program Security Registers	42H	1-1-1	0	8-8-8	8-8d-8d	0	3(4)	1 to 256
Erase Security Registers	44H	1-1-0	0	8-8-0	8-8d-0	0	3(4)	0



4-Byte Address Mode Operations								
Enable 4-Byte Address Mode	B7H	1-0-0	0	8-0-0	8-0-0	0	0	0
Disable 4-Byte Address Mode	E9H	1-0-0	0	8-0-0	8-0-0	0	0	0
Deep Power-Down Operations								
Deep Power-Down	B9H	1-0-0	0	8-0-0	8-0-0	0	0	0
Release From Deep Power-Down	ABH	1-0-0	0	8-0-0	8-0-0	0	0	0
Advanced Sector Protection Operations								
Individual Block/Sector Lock	36H	1-1-0	0	8-8-0	8-8d-0	0	3(4)	0
Individual Block/Sector Unlock	39H	1-1-0	0	8-8-0	8-8d-0	0	3(4)	0
Read Individual Block/Sector Lock	3DH	1-1-(1)	0	8-8-(8)	8-8d-(8d)	8	3(4)	1
Global Block/Sector Lock	7EH	1-0-0	0	8-0-0	8-0-0	0	0	0
Global Block/Sector Unlock	98H	1-0-0	0	8-0-0	8-0-0	0	0	0

Table of ID Definitions
GD55LX01GE

Operation Code	M7-M0	ID23-ID16	ID15-ID8	ID7-ID0
9EH/9FH	C8	68	1B	FF



9.1 Enable 4-Byte Mode (B7H)

The Enable 4-Byte Mode command enables accessing the address length of 32-bit for the memory area of the higher density (larger than 128Mb). After sending the Enable 4-Byte Mode command, the ADS bit (FS0) will be set to 1 to indicate the 4-Byte address mode has been enabled. Once the 4-Byte address mode is enabled, the address length becomes 32-bit.

Figure 10. Enable 4-Byte Mode Sequence Diagram (SPI)

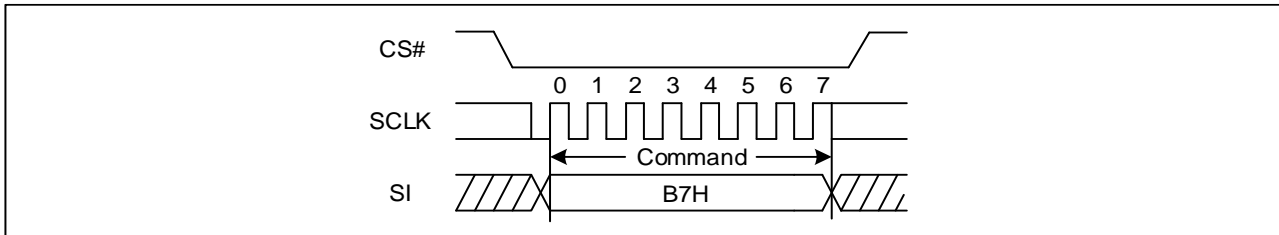
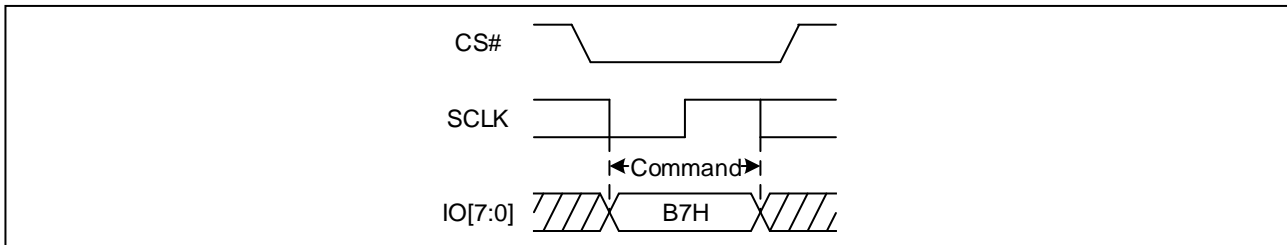


Figure 11. Enable 4-Byte Mode Sequence Diagram (OPI)



9.2 Disable 4-Byte Mode (E9H)

The Disable 4-Byte Mode command is executed to exit the 4-Byte address mode and enter the 3-Byte address mode. After sending the Disable 4-Byte Mode command, the ADS bit (FS0) will be clear to be 0 to indicate the 4-Byte address mode has been disabled, and then the address length will return to 24-bit.

Figure 12. Disable 4-Byte Mode Sequence Diagram (SPI)

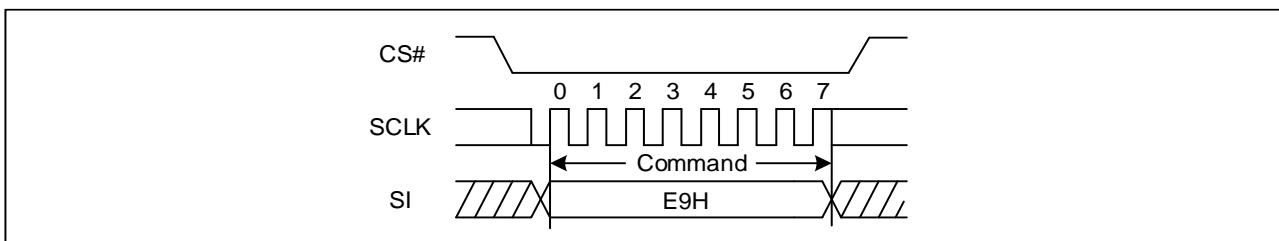
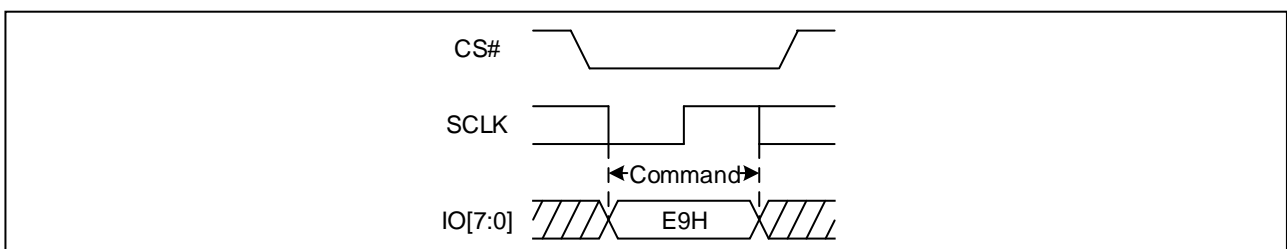


Figure 13. Disable 4-Byte Mode Sequence Diagram (OPI)





9.3 Clear Flag Status Register (30H)

The Clear Status Register Flags command resets bit FS1 (Protection Error bit) and FS4 (Program Error bit) and FS5 (Erase Error bit) in status register. It is not necessary to set the WEL bit before the Clear Status Register command is executed. The Clear Flag Status Register command will not be accepted when the device remains busy with WIP set to 1. The WEL bit will be unchanged after this command is executed.

Figure 14. Clear Status Register Flags Diagram (SPI)

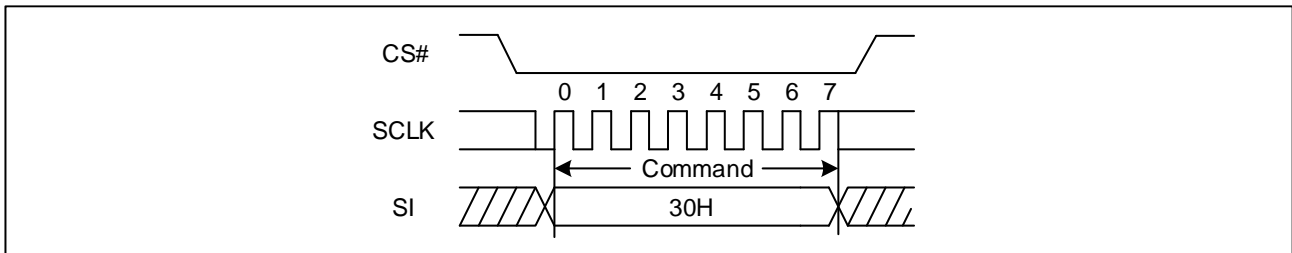
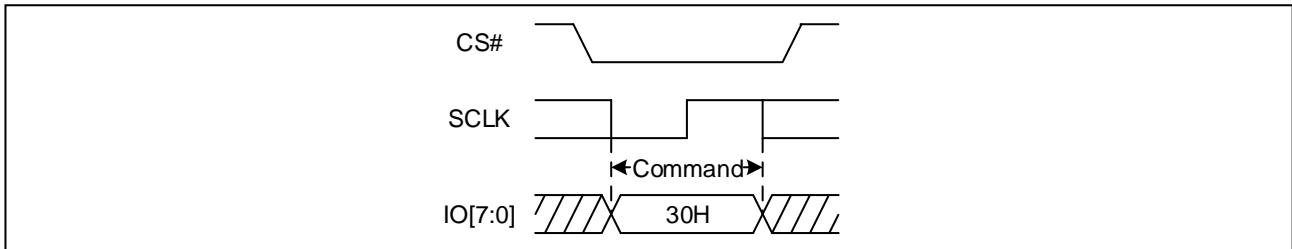


Figure 15. Clear Status Register Flags Diagram (OPI)



9.4 Write Enable (WREN) (06H)

The Write Enable (WREN) command is for setting the Write Enable Latch (WEL) bit. The Write Enable Latch (WEL) bit must be set prior to every Page Program (PP), Sector Erase (SE), Block Erase (BE), Chip Erase (CE), Write Status Register (WRSR), Write Extended Address Register (WEAR), Write Nonvolatile/Volatile configure register and Erase/Program Security Registers command. The Write Enable (WREN) command sequence: CS# goes low → sending the Write Enable command → CS# goes high.

Figure 16. Write Enable Sequence Diagram (SPI)

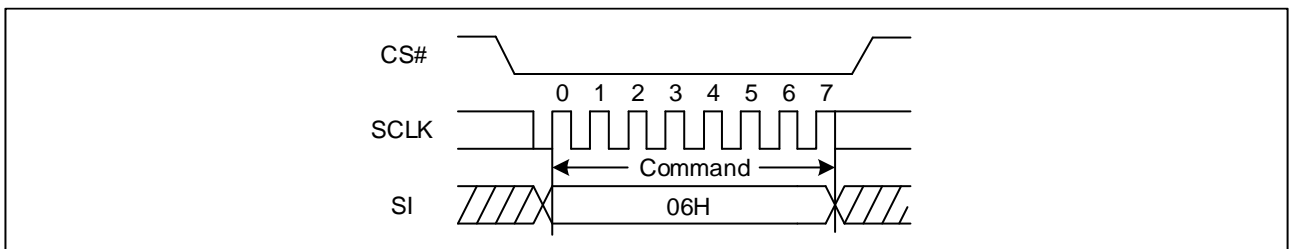
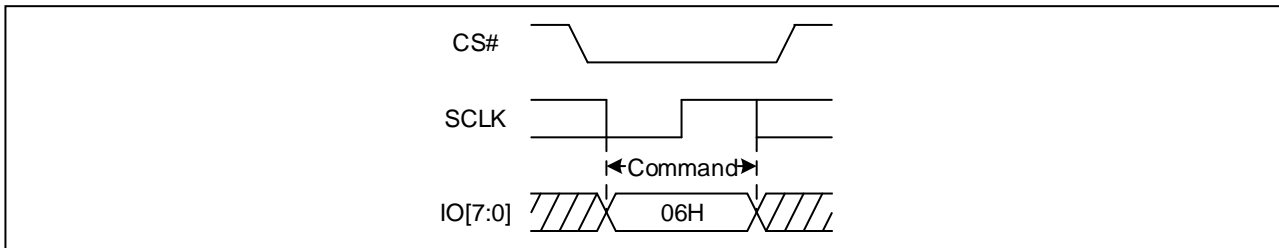




Figure 17. Write Enable Sequence Diagram (OPI)



9.5 Write Disable (WRDI) (04H)

The Write Disable command is for resetting the Write Enable Latch (WEL) bit. The Write Disable command sequence: CS# goes low → Sending the Write Disable command → CS# goes high. The WEL bit is reset by following condition: Power-up and upon completion of the Write Status Register, Write Extended Address Register, Write Nonvolatile/Volatile configure register, Page Program, Sector Erase, Block Erase, Chip Erase, Erase/Program Security Registers and Reset commands.

Figure 18. Write Disable Sequence Diagram (SPI)

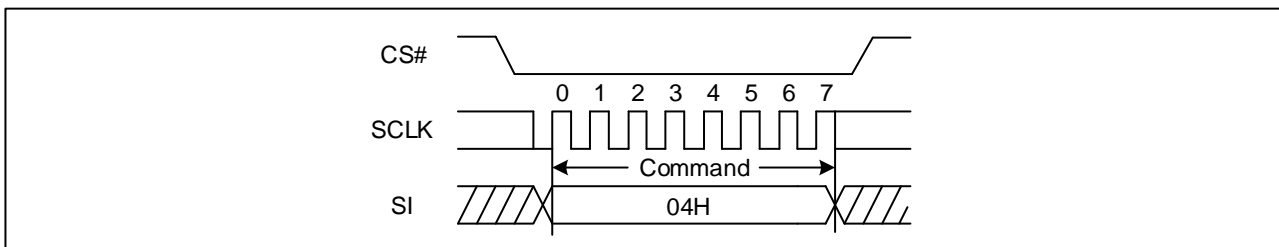
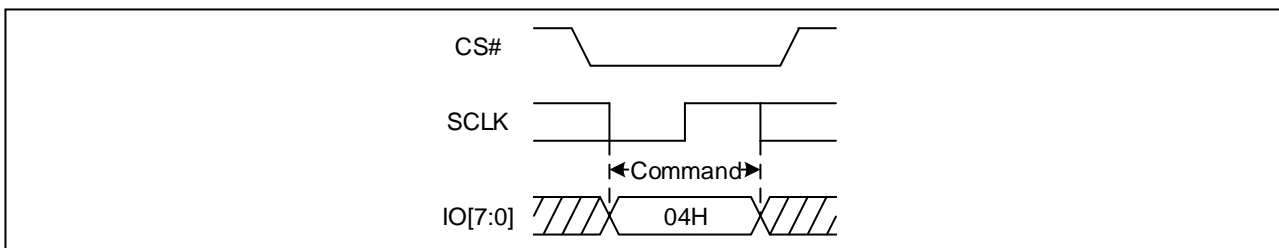


Figure 19. Write Disable Sequence Diagram (OPI)



9.6 Write Enable for Volatile Status Register (50H)

The non-volatile Status Register bits can also be written to as volatile bits. This gives more flexibility to change the system configuration and memory protection schemes quickly without waiting for the typical non-volatile bit write cycles or affecting the endurance of the Status Register non-volatile bits. The Write Enable for Volatile Status Register command must be issued prior to a Write Status Register command, and any other commands cannot be inserted between them. Otherwise, Write Enable for Volatile Status Register will be cleared. The Write Enable for Volatile Status Register command will not set the Write Enable Latch bit, it is only valid for the Write Status Register command to change the volatile Status Register bit values.

Figure 20. Write Enable for Volatile Status Register Sequence Diagram (SPI)

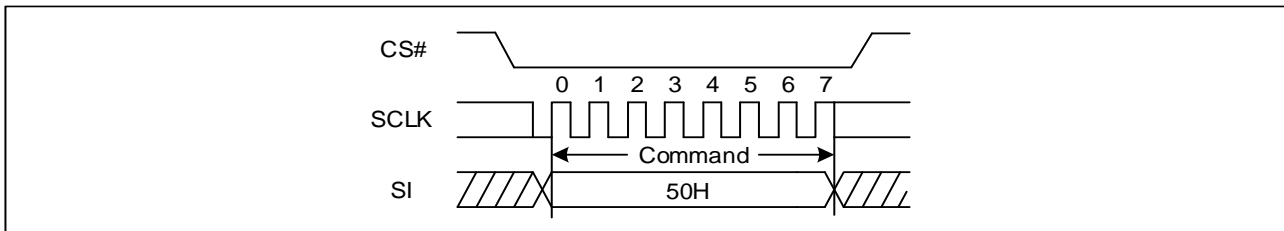
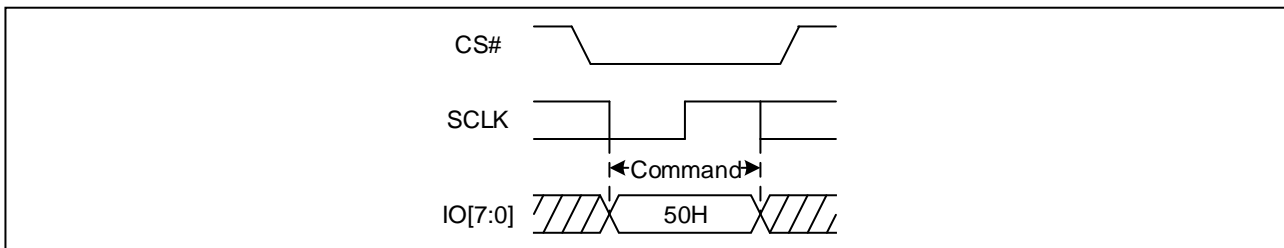


Figure 21. Write Enable for Volatile Status Register Sequence Diagram (OPI)



9.7 Write Status Register (WRSR) (01H)

The Write Status Register (WRSR) command allows new values to be written to the Status Register. Before it can be accepted, a Write Enable (WREN) command must previously have been executed. After the Write Enable (WREN) command has been decoded and executed, the device sets the Write Enable Latch (WEL).

CS# must be driven high after the eighth of the data Byte has been latched in. Otherwise, the Write Status Register (WRSR) command is not executed. As soon as CS# is driven high, the self-timed Write Status Register cycle (whose duration is t_W) is initiated. While the Write Status Register cycle is in progress, the Status Register may still be read to check the value of the Write In Progress (WIP) bit. The Write In Progress (WIP) bit is 1 during the self-timed Write Status Register cycle, and is 0 when it is completed. When the cycle is completed, the Write Enable Latch (WEL) is reset.

The Write Status Register (WRSR) command allows the user to change the values of the Block Protect (BP4, BP3, BP2, BP1, and BP0) bits, to define the size of the area that is to be treated as read-only. The Write Status Register (WRSR) command also allows the user to set or reset the Status Register Protect (SRP0) bit in accordance with the Write Protect (WP#) signal. The Status Register Protect (SRP1 and SRP0) bits and Write Protect (WP#) signal allow the device to be put in the Hardware Protected Mode. The Write Status Register (WRSR) command is not executed once the Hardware Protected Mode is entered.

Figure 22. Write Status Register Sequence Diagram (SPI)

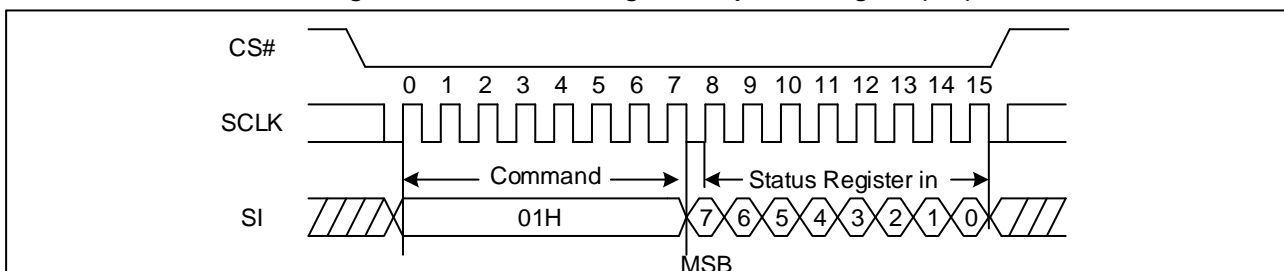
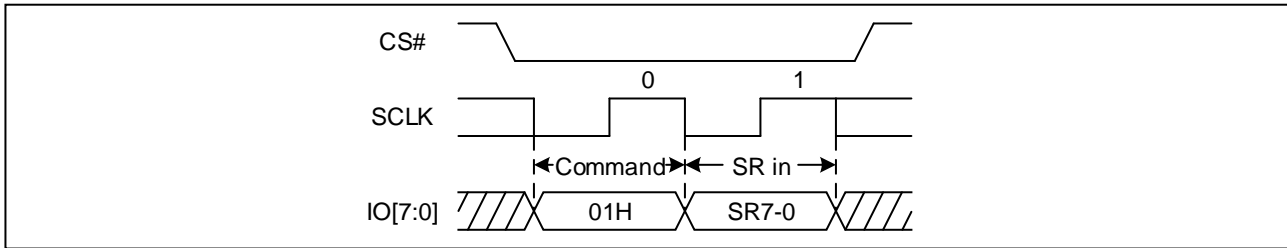




Figure 23. Write Status Register Sequence Diagram (OPI)



9.8 Write Extended Address Register (C5H)

The Extended Address Register is a volatile register that stores the 4th Byte address when the device is operating in the 3-Byte Address Mode (ADS=0). To write the Extended Address Register bits, a Write Enable (06H) instruction must previously have been executed for the device to accept the Write Extended Address Register instruction (Status Register bit WEL must equal 1). Once write enabled, the instruction is entered by driving CS# low, sending the instruction code “C5H”, and then writing the Extended Address Register data Byte.

Upon Power-up or the execution of a Software/Hardware Reset, the Extended Address Register bits will be cleared to 0.

The Extended Address Bits is only effective when the device is in the 3-Byte Address Mode. When the device operates in the 4-Byte Address Mode (ADS=1), any command with address input of A31-A24 will replace the Extended Address Register values. It is recommended to check and update the Extended Address Register if necessary when the device is switched from 4-Byte to 3-Byte Address Mode

Figure 24. Write Extended Address Register Sequence Diagram (SPI)

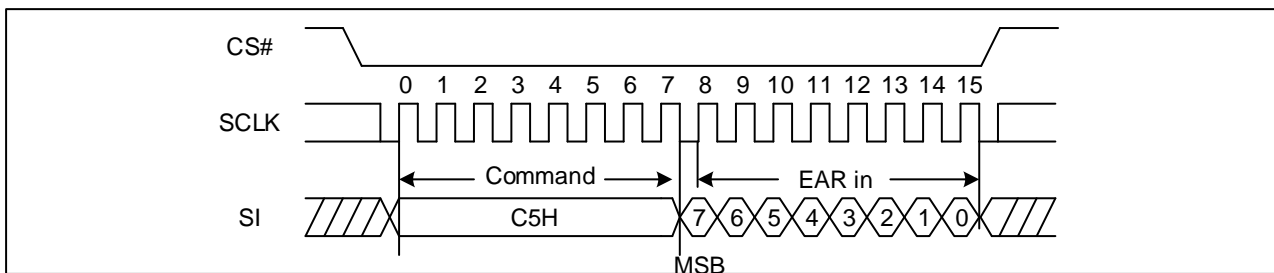
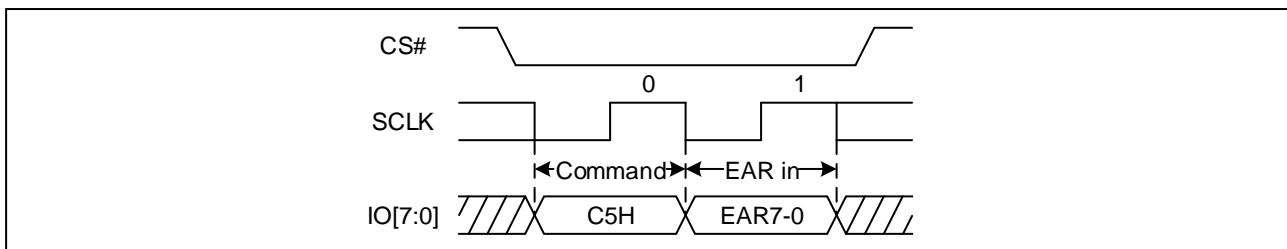


Figure 25. Write Extended Address Register Sequence Diagram (OPI)



9.9 Write Nonvolatile/Volatile Configuration Register (WRCR) (B1H/81H)

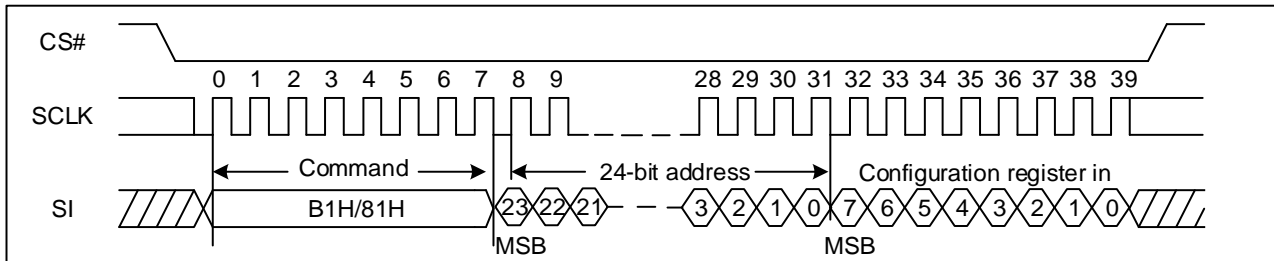
The Write Nonvolatile/Volatile Configuration Register (WRCR) command allows new values to be written to the Nonvolatile/Volatile Configuration Register. Before it can be accepted, a Write Enable (WREN) command must previously have been executed. After the Write Enable (WREN) command has been decoded and executed, the device sets the Write Enable Latch (WEL).

CS# must be driven high after the data Byte has been latched in. If not, the Write Configuration Register (WRCR) command is not executed. As soon as CS# is driven high, the self-timed Write Configuration Register cycle (whose duration is tW for



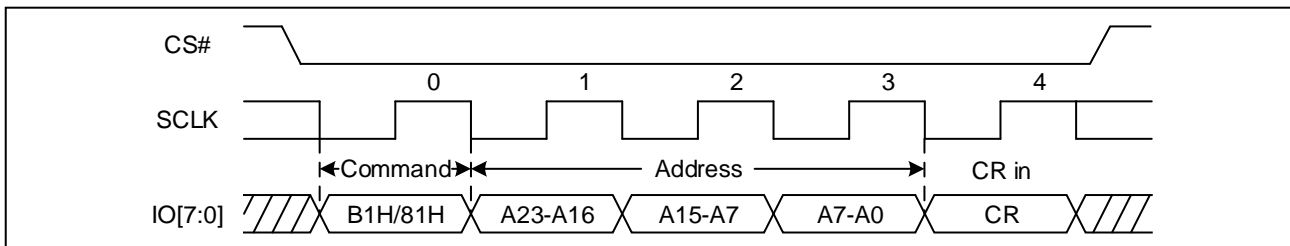
B1H) is initiated. The Write In Progress (WIP) bit is 1 during the self-timed Write Configuration Register cycle, and is 0 when it is completed. When the cycle is completed, the Write Enable Latch (WEL) is reset.

Figure 26. Write Nonvolatile/Volatile Configuration Register Sequence Diagram (SPI)



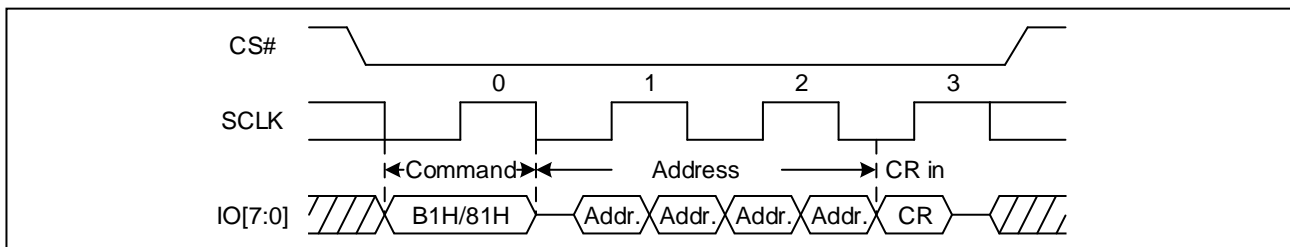
Note: The device default is in 24-bit address mode. For 4-Byte mode, the address length becomes 32-bit.

Figure 27. Write Nonvolatile/Volatile Configuration Register Sequence Diagram (STR OPI)



Note: The device default is in 24-bit address mode. For 4-Byte mode, the address length becomes 32-bit.

Figure 28. Write Nonvolatile/Volatile Configuration Register Sequence Diagram (DTR OPI)



9.10 Read Status Register (RDSR) (05H)

The Read Status Register (RDSR) command is for reading the Status Register. The Status Register may be read at any time, even while a Program, Erase or Write Status Register cycle is in progress. When one of these cycles is in progress, it is recommended to check the Write in Progress (WIP) bit before sending a new command to the device. It is also possible to read the Status Register continuously. The SO will output Status Register bits S7~S0.



Figure 29. Read Status Register Sequence Diagram (SPI)

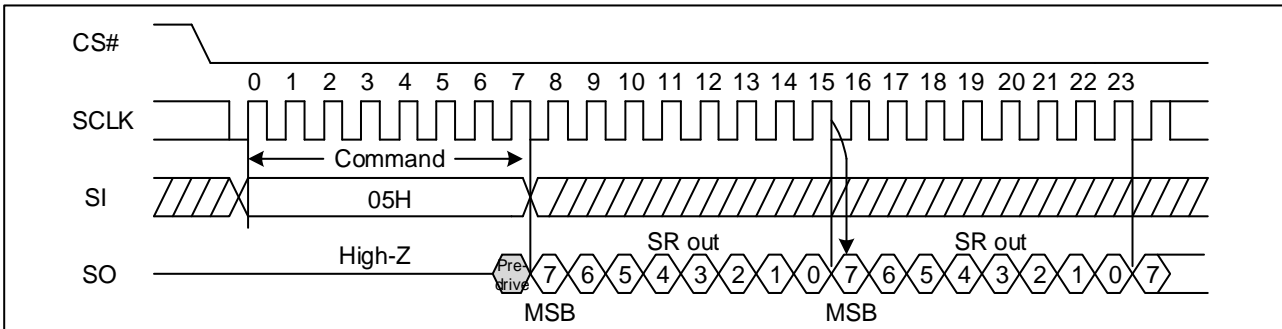


Figure 30. Read Status Register Sequence (STR OPI)

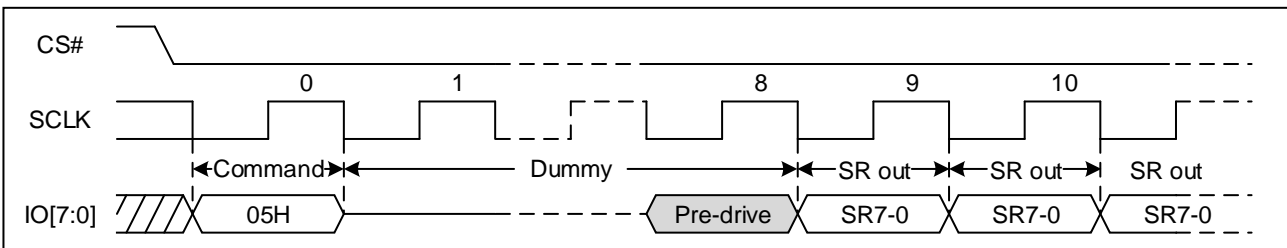
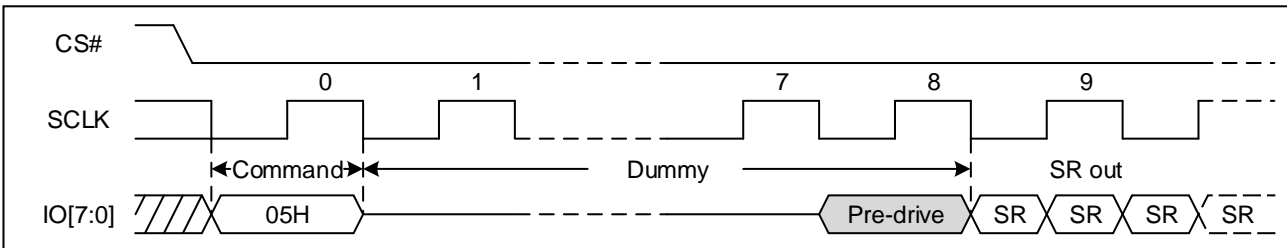


Figure 31. Read Status Register Sequence (DTR OPI)



9.11 Read Flag Status Register (RDSR) (70H)

The Read Flag Status Register command is for reading the Flag Status Register. The Flag Status Register may be read at any time, even while a Program, Erase or Write Status Register cycle is in progress. When one of these cycles is in progress, it is recommended to check the Write in Progress (WIP) bit before sending a new command to the device. It is also possible to read the Flag Status Register continuously. The SO will output Status Register bits FS7~FS0.

Figure 32. Read Flag Status Register Sequence Diagram (SPI)

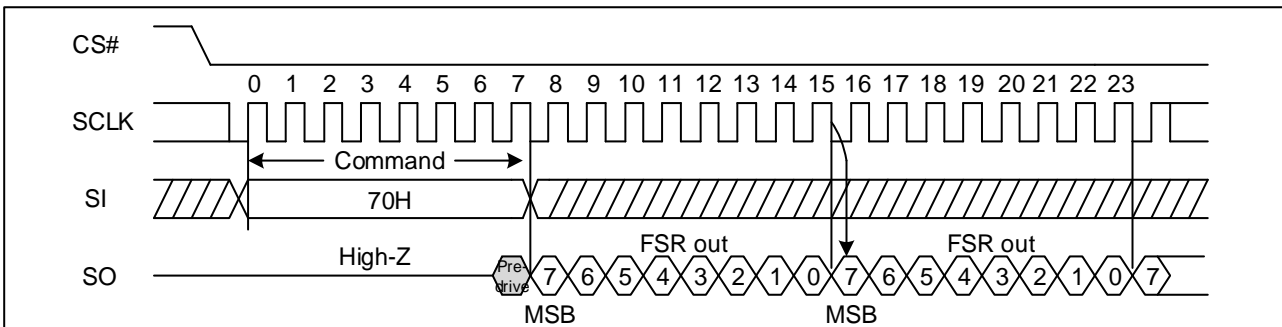




Figure 33. Read Flag Status Register Sequence (STR OPI)

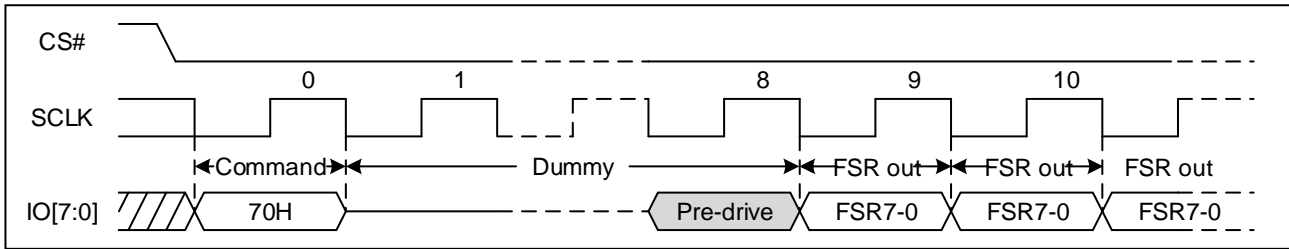
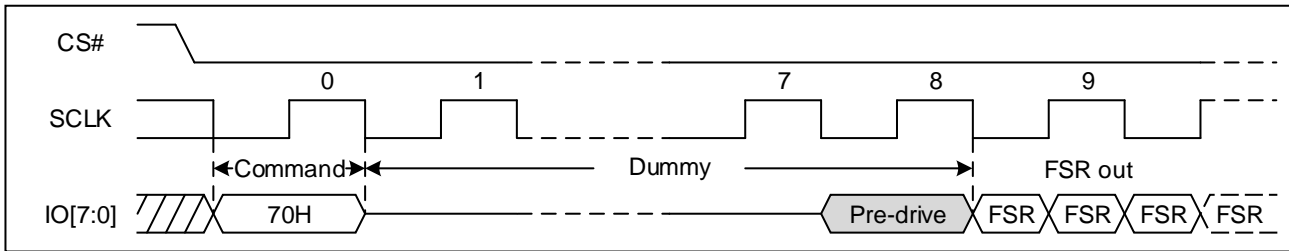


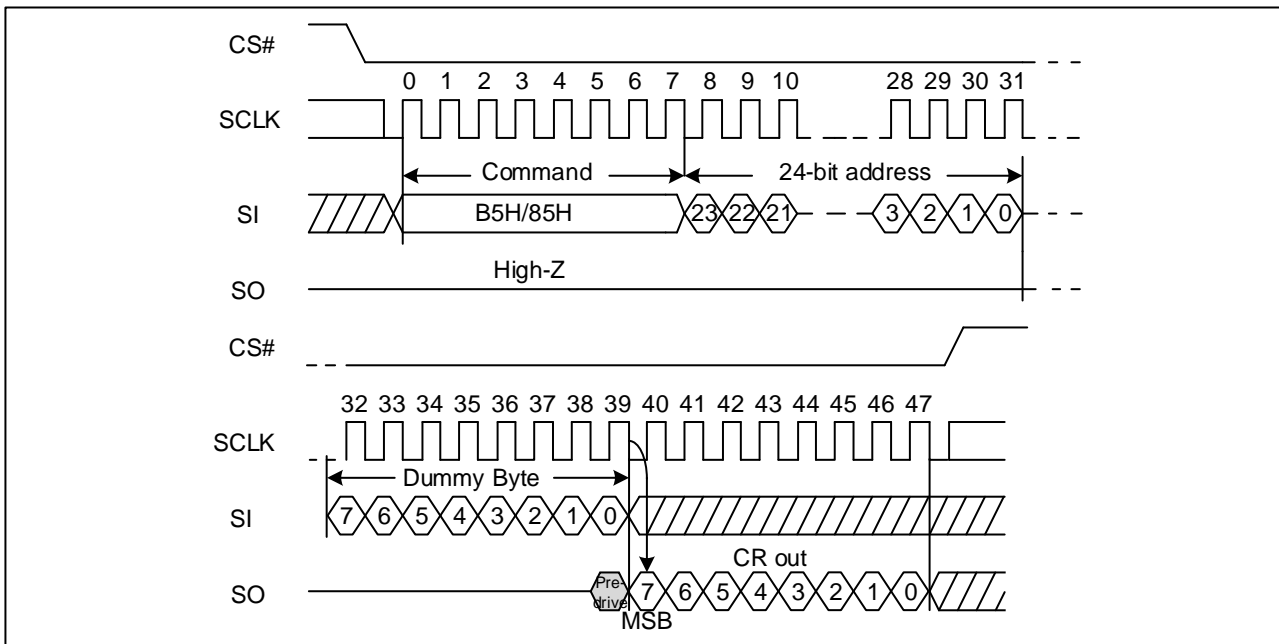
Figure 34. Read Flag Status Register Sequence (DTR OPI)



9.12 Read Nonvolatile/Volatile Configuration Register (B5H/85H)

The Read Nonvolatile/Volatile Configuration Register command is for reading the Nonvolatile/Volatile Configuration Registers. It is followed by a 3-Byte address (A23-A0) or a 4-Byte address (A31-A0) and a dummy Byte, and each bit is latched-in on the rising edge of SCLK. Then the Configuration Register, at that address, is shifted out on SO, and each bit is shifted out, at a Max frequency f_c , on the falling edge of SCLK. Read Nonvolatile/Volatile Configuration Register command, while an Erase, Program or Write cycle is in progress, is rejected without having any effects on the cycle that is in progress.

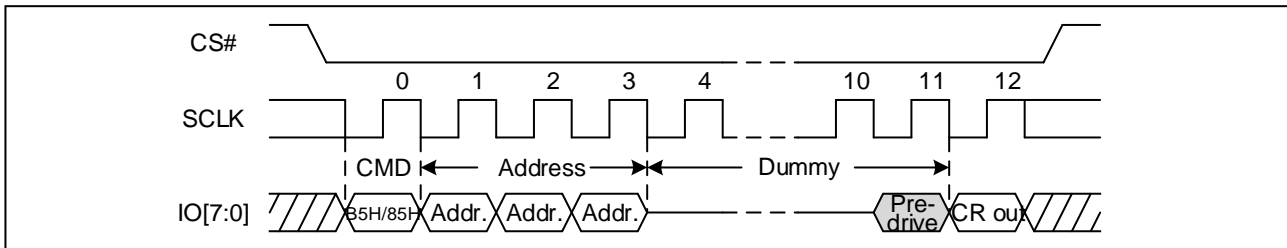
Figure 35. Read Configuration Registers Sequence Diagram (SPI)



Note: The device default is in 24-bit address mode. For 4-Byte mode, the address length becomes 32-bit.

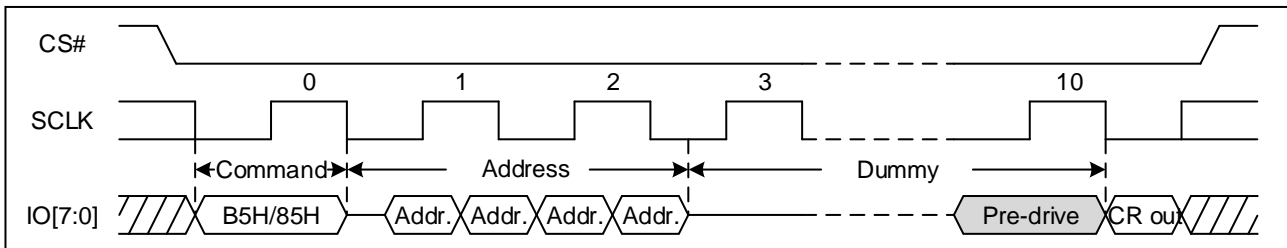


Figure 36. Read Configuration Registers Sequence (STR OPI)



Note: The device default is in 24-bit address mode. For 4-Byte mode, the address length becomes 32-bit.

Figure 37. Read Configuration Registers Sequence (DTR OPI)



9.13 Read Extended Address Register (C8H)

The Read Extended Address Register instruction is entered by driving CS# low and shifting the instruction code “C8H” into the SI pin on the rising edge of SCLK. The Extended Address Register bits are then shifted out on the SO pin at the falling edge of SCLK with most significant bit (MSB) first.

When the device is in the 4-Byte Address Mode, the value of Address bits is ignored.

Figure 38. Read Extended Address Register Sequence Diagram (SPI)

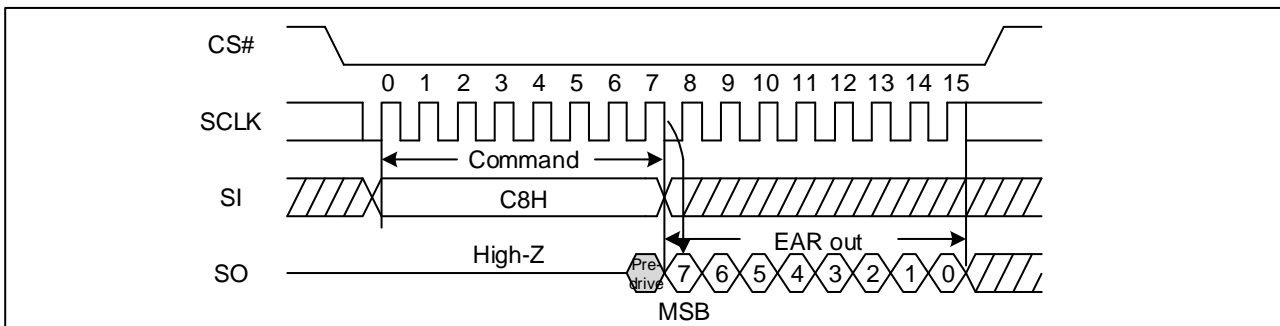


Figure 39. Read Extended Address Register Sequence Diagram (STR OPI)

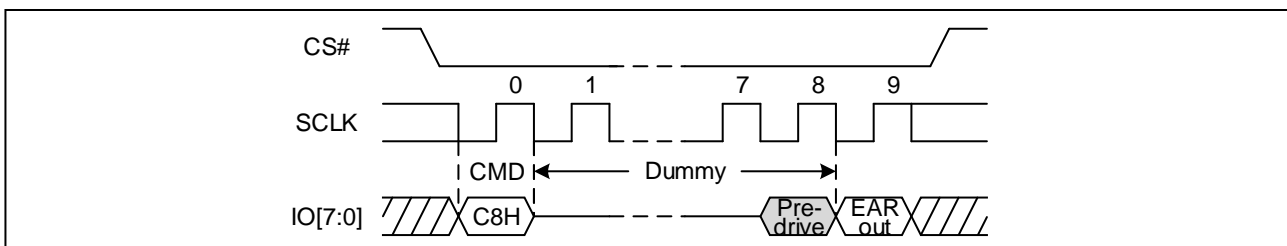
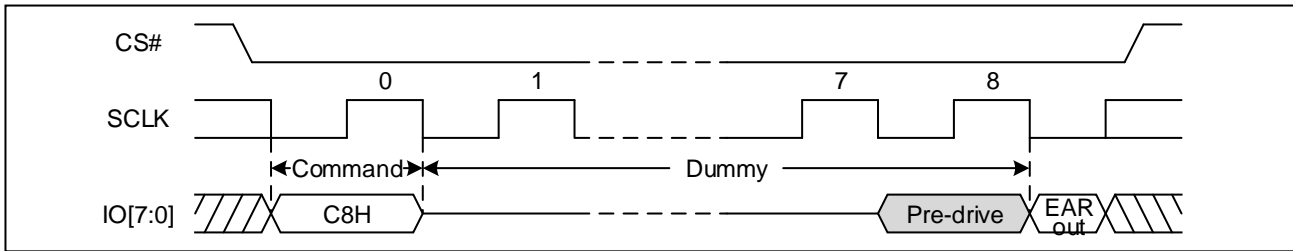




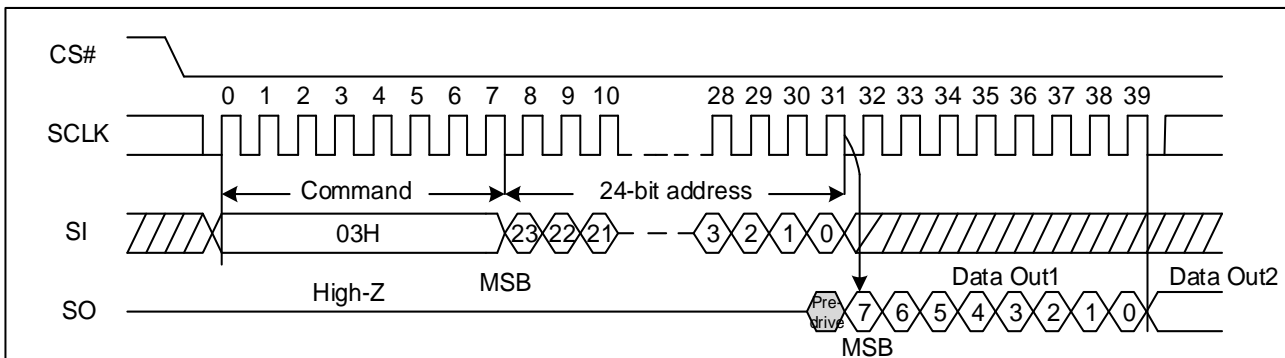
Figure 40. Read Extended Address Register Sequence Diagram (DTR OPI)



9.14 Read Data Bytes (READ) (03H/13H)

The Read Data Bytes (READ) command is followed by a 3-Byte address (A23-A0) or a 4-Byte address (A31-A0), and each bit is latched-in on the rising edge of SCLK. Then the memory content, at that address, is shifted out on SO, and each bit is shifted out, at a Max frequency f_R , on the falling edge of SCLK. The first Byte addressed can be at any location. The address is automatically incremented to the next higher address after each Byte of data is shifted out. The whole memory can, therefore, be read with a single Read Data Bytes (READ) command. Any Read Data Bytes (READ) command, while an Erase, Program or Write cycle is in progress, is rejected without having any effects on the cycle that is in progress.

Figure 41. Read Data Bytes Sequence Diagram



Note: The device default is in 24-bit address mode. For 4-Byte mode, the address length becomes 32-bit.

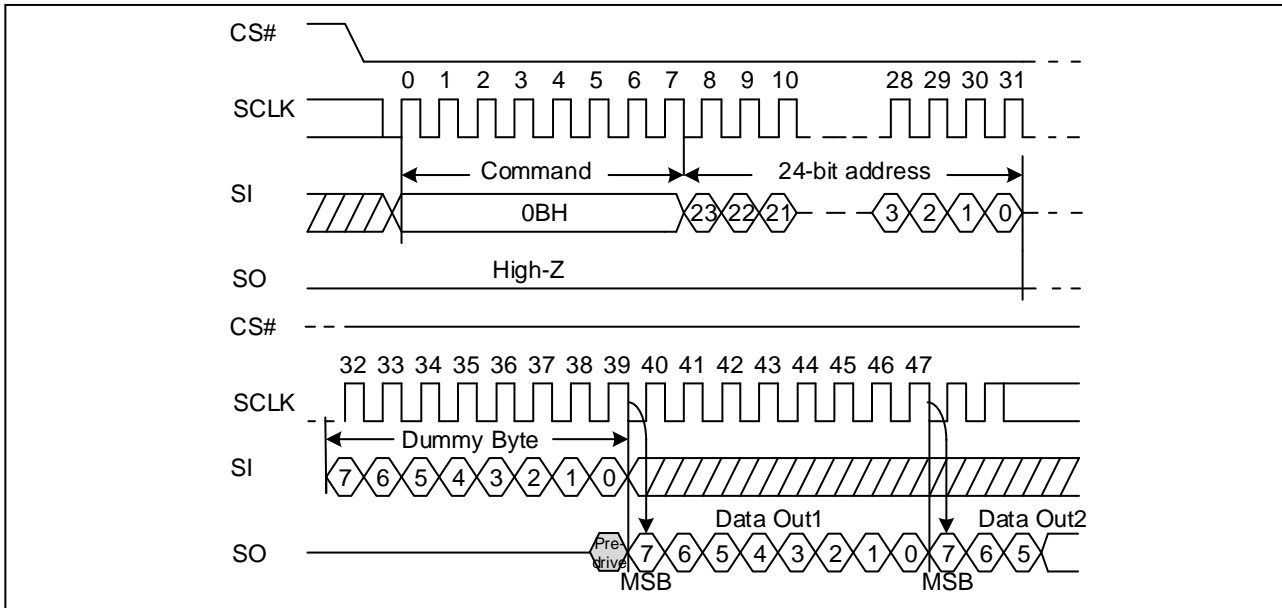
9.15 Read Data Bytes at Higher Speed (Fast Read) (0BH/0CH)

The Read Data Bytes at Higher Speed (Fast Read) command is for quickly reading data out. It is followed by a 3-Byte address (A23-A0) or a 4-Byte address (A31-A0) and dummy clocks, and each bit is latched-in on the rising edge of SCLK. Then the memory content, at that address, is shifted out on SO, and each bit is shifted out, at a Max frequency f_C , on the falling edge of SCLK. The first Byte addressed can be at any location. The address is automatically incremented to the next higher address after each Byte of data is shifted out.

In DTR mode, the starting address given must be even (A0=0) and data Byte number must be even.

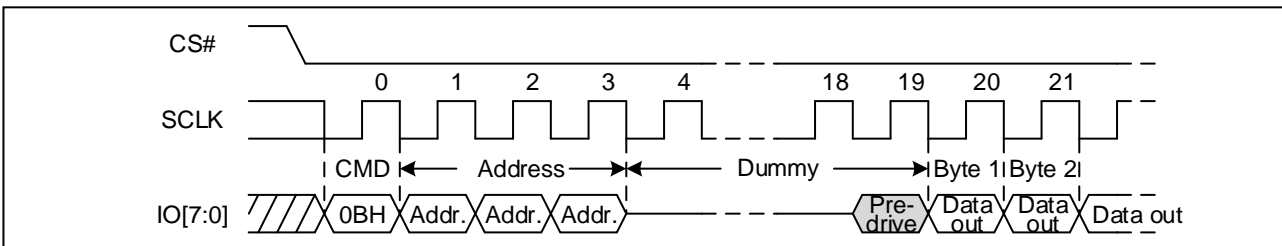


Figure 42. Read Data Bytes at Higher Speed Sequence Diagram (SPI)



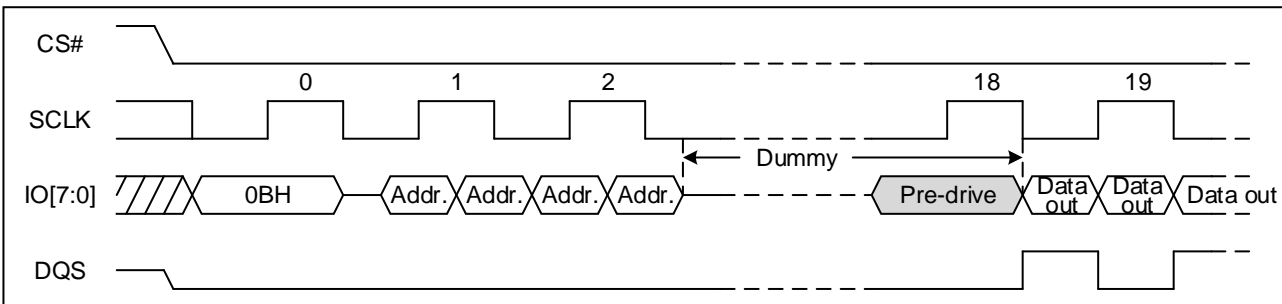
Note: The device default is in 24-bit address mode. For 4-Byte mode, the address length becomes 32-bit.

Figure 43. Read Data Bytes at Higher Speed Sequence Diagram (STR OPI)



Note: The device default is in 24-bit address mode. For 4-Byte mode, the address length becomes 32-bit.

Figure 44. Read Data Bytes at Higher Speed Sequence Diagram (DTR OPI)



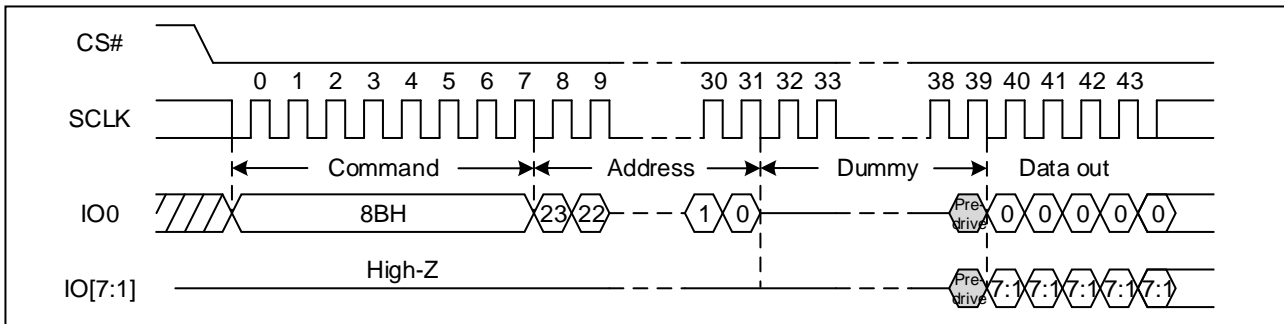
9.16 Octal Output Fast Read (8BH/7CH)

The Octal Output Fast Read command is followed by 3-Byte address (A23-A0) or a 4-Byte address (A31-A0) and dummy clocks, and each bit is latched in on the rising edge of SCLK, then the memory contents are shifted out 8-bit per clock cycle from IO[7:0]. The first Byte addressed can be at any location. The address is automatically incremented to the next higher address after each Byte of data is shifted out.

In DTR mode, the starting address given must be even (A0=0) and data Byte number must be even.

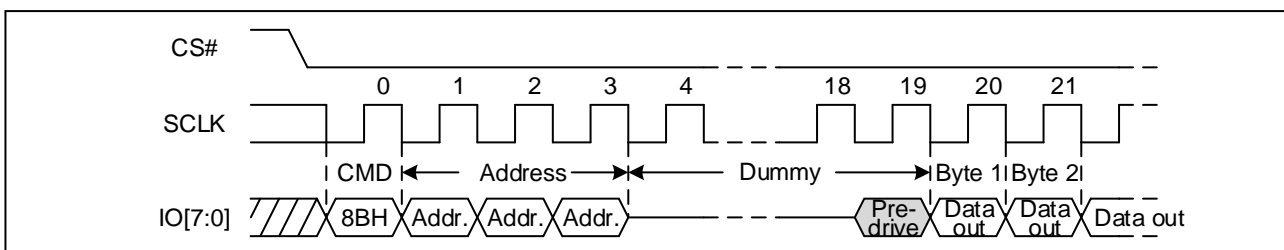


Figure 45. Octal Output Fast Read Sequence Diagram (SPI)



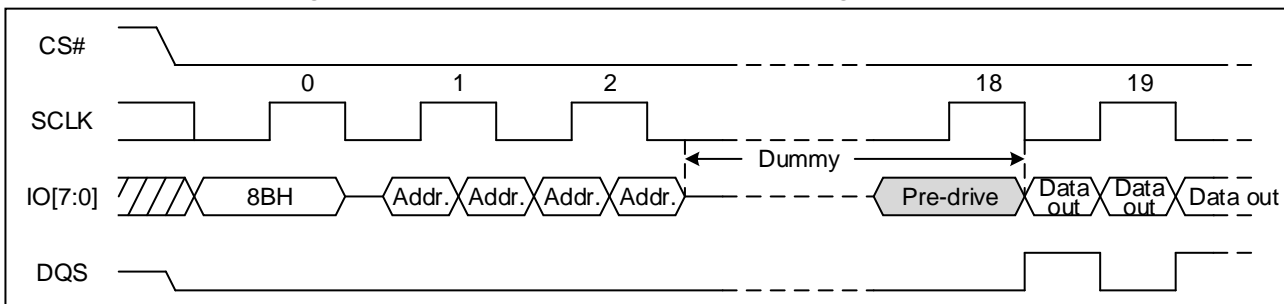
Note: The device default is in 24-bit address mode. For 4-Byte mode, the address length becomes 32-bit.

Figure 46. Octal Output Fast Read Sequence Diagram (STR OPI)



Note: The device default is in 24-bit address mode. For 4-Byte mode, the address length becomes 32-bit.

Figure 47. Octal Output Fast Read Sequence Diagram (DTR OPI)



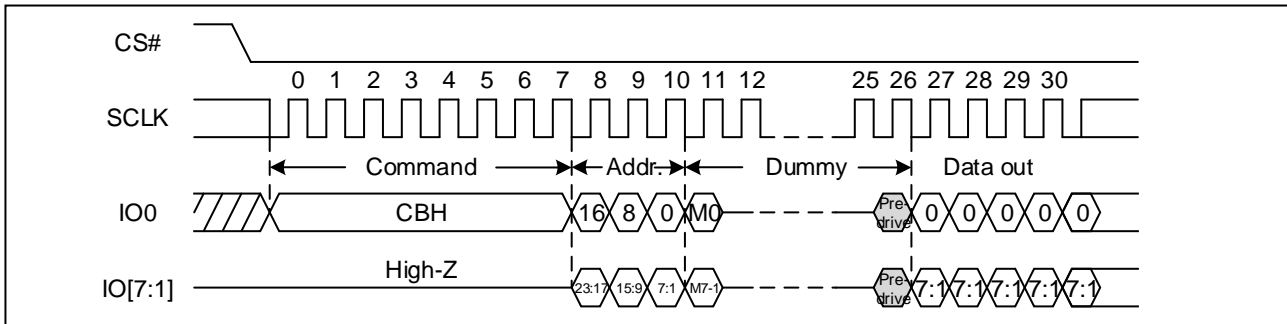
9.17 Octal I/O Fast Read (CBH/CCH)

The Octal I/O Fast Read command is similar to the Octal Output Fast Read command but with the capability to input the 3-Byte address (A23-0) or a 4-Byte address (A31-A0) and a “Continuous Read Mode” Byte and dummy clocks. 8-bit per clock is transferred by IO[7:0] and each bit is latched in on the rising edge of SCLK, then the memory contents are shifted out 8-bit per clock cycle from IO[7:0]. The first Byte addressed can be at any location. The address is automatically incremented to the next higher address after each Byte of data is shifted out.

In DTR mode, the starting address given must be even (A0=0) and data Byte number must be even.

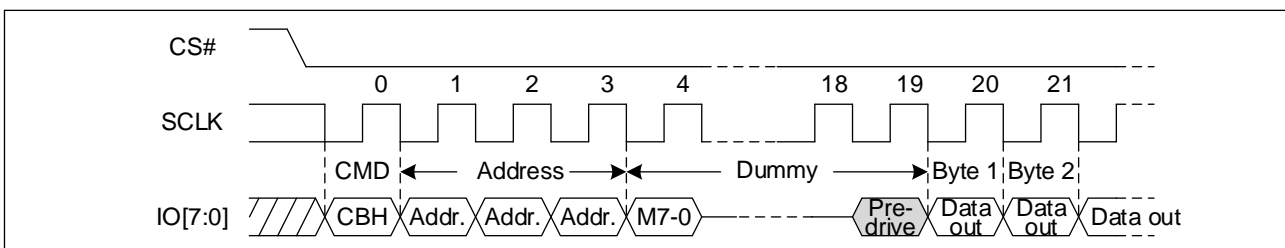


Figure 48. Octal I/O Fast Read Sequence Diagram (SPI, M5-4 ≠ (1, 0))



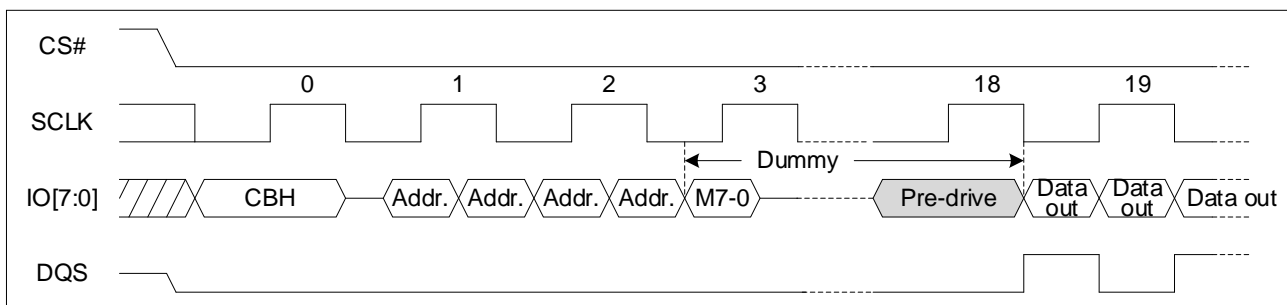
Note: The device default is in 24-bit address mode. For 4-Byte mode, the address length becomes 32-bit.

Figure 49. Octal I/O Fast Read Sequence Diagram (STR OPI, M5-4 ≠ (1, 0))



Note: The device default is in 24-bit address mode. For 4-Byte mode, the address length becomes 32-bit.

Figure 50. Octal I/O Fast Read Sequence Diagram (DTR OPI, M5-4 ≠ (1, 0))

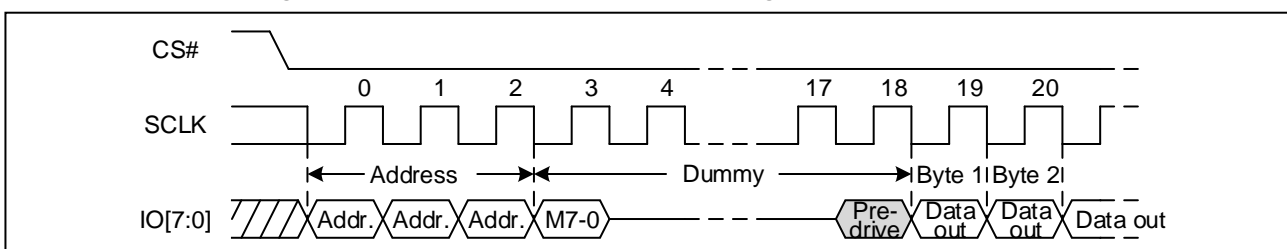


Octal I/O Fast Read with “Continuous Read Mode”

The bit0 in Byte<6> of the Configuration Register must be set 1 prior to set the “Continuous Read Mode” bits (M7-0).

The Octal I/O Fast Read command can further reduce command overhead through setting the “Continuous Read Mode” bits (M7-0) after the input 3-Byte address (A23-A0) or a 4-Byte address (A31-A0). If the “Continuous Read Mode” bits (M5-4) = (1, 0), then the next Octal I/O Fast Read command (after CS# is raised and then lowered) does not require the CBH/CCH command code. If the “Continuous Read Mode” bits (M5-4) do not equal to (1, 0), the next command requires the first CBH/CCH command code, thus returning to normal operation.

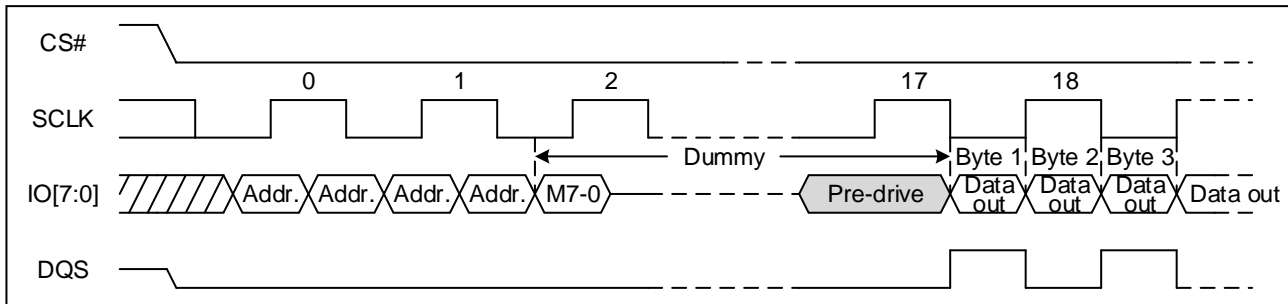
Figure 51. Octal I/O Fast Read Sequence Diagram (STR, M5-4 = (1, 0))





Note: The device default is in 24-bit address mode. For 4-Byte mode, the address length becomes 32-bit.

Figure 52. Octal I/O Fast Read Sequence Diagram (DTR OPI, M5-4 = (1, 0))



Octal I/O Fast Read with “16/32/64-Byte Wrap Around”

The Octal I/O Fast Read command can be used to access a specific portion within a page by issuing Wrap configuration register Byte prior to CBH/CCH. The data being accessed can be limited to either a 16/32/64-Byte section of a 256-Byte page. The output data starts at the initial address specified in the command, once it reaches the ending boundary of the 16/32/64-Byte section, the output will wrap around the beginning boundary automatically until CS# is pulled high to terminate the command.

The Burst with Wrap feature allows applications that use cache to quickly fetch a critical address and then fill the cache afterwards within a fixed length (16/32/64-Byte) of data without issuing multiple read commands.

9.18 Octal I/O DTR Read (FDH)

The Octal I/O DTR Fast Read command enables Double Transfer Rate throughput on Octal I/O of Serial Flash in read mode. The address (interleave on 8 I/O pins) is latched on both rising and falling edge of SCLK, and data (interleave on 8 I/O pins) shift out on both rising and falling edge of SCLK. The 8-bit address can be latched-in at one clock edge, and 8-bit data can be read out at one clock edge, which means 8 bits at rising edge of clock, the other 8 bits at falling edge of clock. The first address Byte can be at any location. The address is automatically increased to the next higher address after each Byte data is shifted out, so the whole memory can be read out at a single Octal I/O DTR Fast Read command. The address counter rolls over to 0 when the highest address has been reached.

While Program/Erase/Write Status Register cycle is in progress, Octal I/O DTR Fast Read instruction is rejected without any impact on the Program/Erase/Write Status Register current cycle.

In DTR mode, the starting address given must be even (A0=0) and data Byte number must be even.

Figure 53. DTR Octal I/O Fast Read Sequence Diagram (SPI)

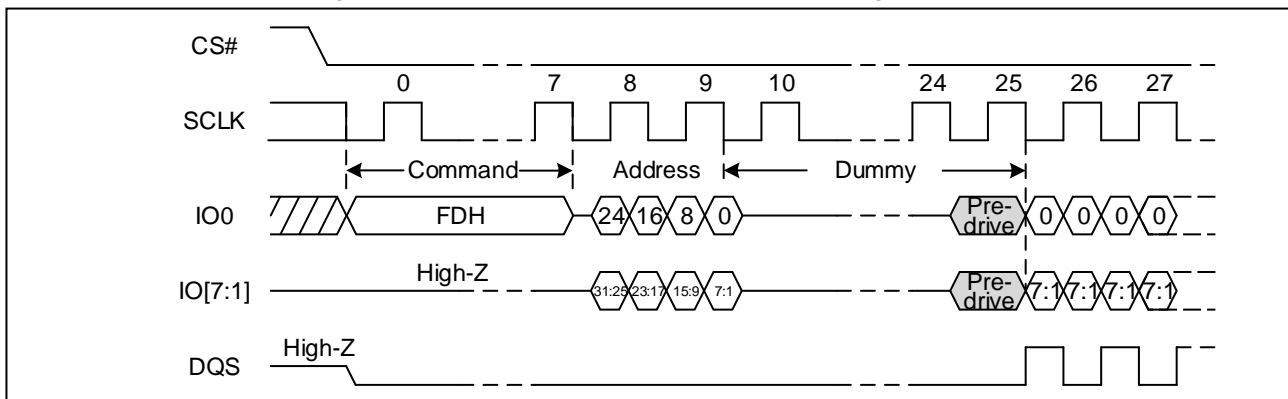
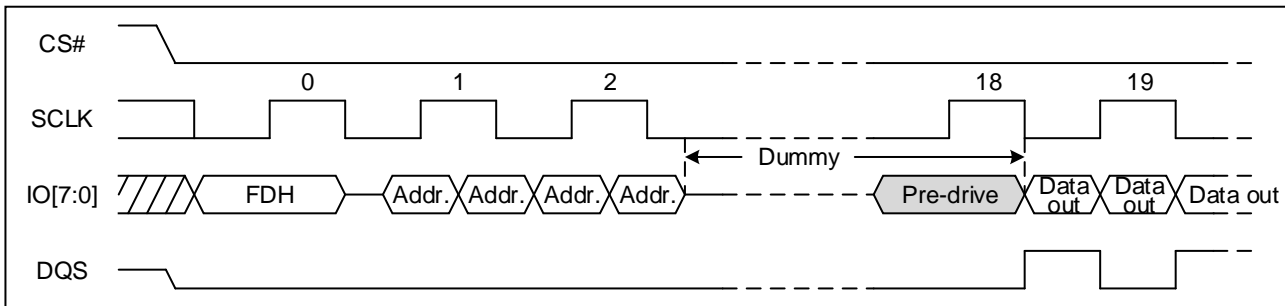




Figure 54. DTR Octal I/O Fast Read Sequence Diagram (OPI)

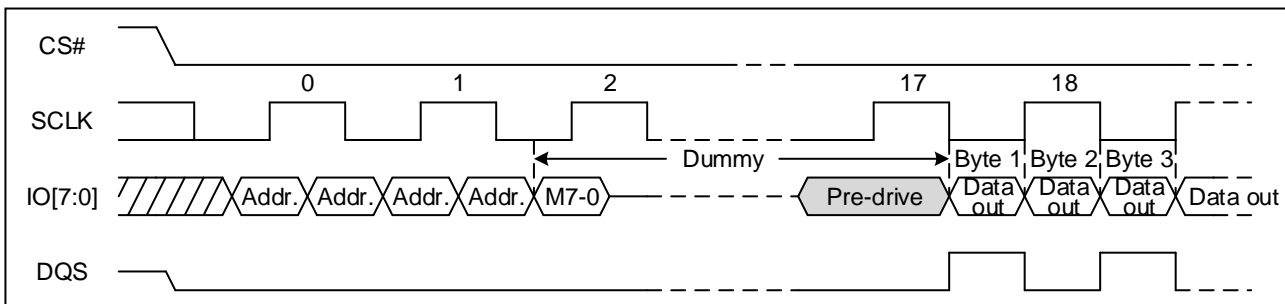


Octal I/O DTR Fast Read with “Continuous Read Mode”

The bit0 in Byte<6> of the Configuration Register must be set 1 prior to set the “Continuous Read Mode” bits (M7-0).

The Octal I/O DTR Fast Read command can further reduce command overhead through setting the “Continuous Read Mode” bits (M7-0) after the input 4-Byte address (A31-A0). If the “Continuous Read Mode” bits (M5-4) = (1, 0), then the next Octal I/O DTR Fast Read command (after CS# is raised and then lowered) does not require the FDH command code. If the “Continuous Read Mode” bits (M5-4) do not equal to (1, 0), the next command requires the first FDH command code, thus returning to normal operation.

Figure 55. Octal I/O DTR Fast Read Sequence Diagram (M5-4 = (1, 0))



Octal I/O DTR Fast Read with “16/32/64-Byte Wrap Around”

The Octal I/O DTR Fast Read command can be used to access a specific portion within a page by issuing Wrap configuration register Byte prior to FDH. The data being accessed can be limited to either a 16/32/64-Byte section of a 256-Byte page. The output data starts at the initial address specified in the command, once it reaches the ending boundary of the 16/32/64-Byte section, the output will wrap around the beginning boundary automatically until CS# is pulled high to terminate the command.

The Burst with Wrap feature allows applications that use cache to quickly fetch a critical address and then fill the cache afterwards within a fixed length (16/32/64-Byte) of data without issuing multiple read commands.

9.19 Page Program (PP) (02H/12H)

The Page Program (PP) command is for programming the memory. A Write Enable (WREN) command must previously have been executed to set the Write Enable Latch (WEL) bit before sending the Page Program command.

The Page Program (PP) command is entered by driving CS# Low, followed by the command code, three or four address Bytes and at least one data Byte on SI. If the 8 least significant address bits (A7-A0) are not all zero, all transmitted data that goes beyond the end of the current page are programmed from the start address of the same page (from the address whose 8 least significant bits (A7-A0) are all zero). CS# must be driven low for the entire duration of the sequence. The Page Program command sequence: CS# goes low → sending Page Program command → 3-Byte address or 4-Byte address on SI → at least 1 Byte data on SI → CS# goes high. If more than 256 Bytes are sent to the device, previously



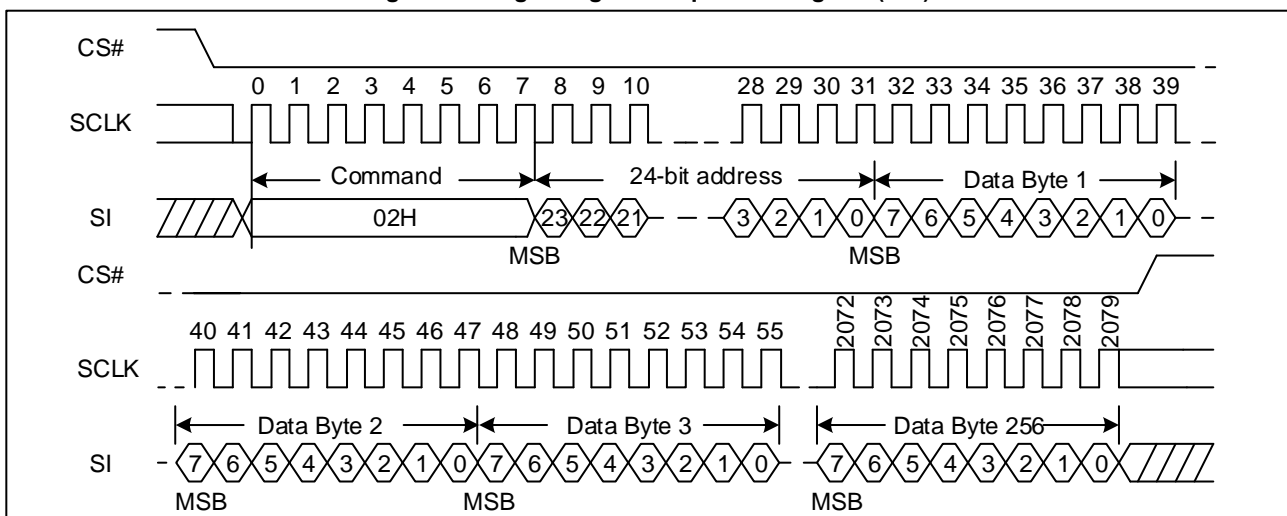
latched data are discarded and the last 256 data Bytes are guaranteed to be programmed correctly within the same page. If less than 256 data Bytes are sent to device, they are correctly programmed at the requested addresses without having any effects on the other Bytes of the same page. CS# must be driven high after the eighth bit of the last data Byte has been latched in; otherwise the Page Program (PP) command is not executed.

As soon as CS# is driven high, the self-timed Page Program cycle (whose duration is t_{PP}) is initiated. While the Page Program cycle is in progress, the Status Register may be read to check the value of the Write in Progress (WIP) bit. The Write in Progress (WIP) bit is 1 during the self-timed Page Program cycle, and is 0 when it is completed. At some unspecified time before the cycle is completed, the Write Enable Latch (WEL) bit is reset.

A Page Program (PP) command applied to a page which is protected by the Block Protect (BP4, BP3, BP2, BP1, and BP0) is not executed.

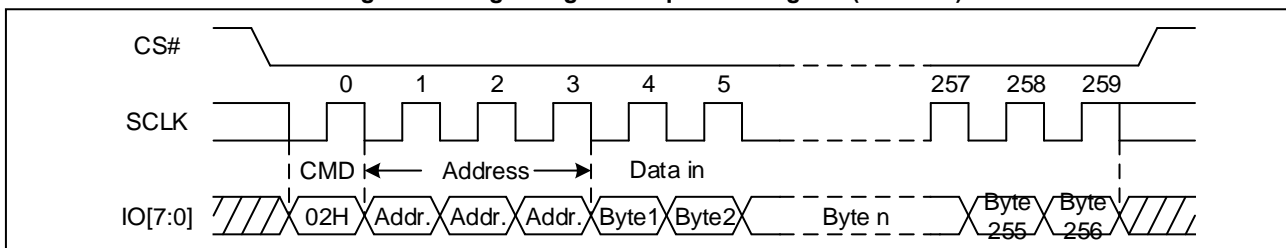
In DTR mode, the starting address given must be even (A0=0) and data Byte number must be even.

Figure 56. Page Program Sequence Diagram (SPI)



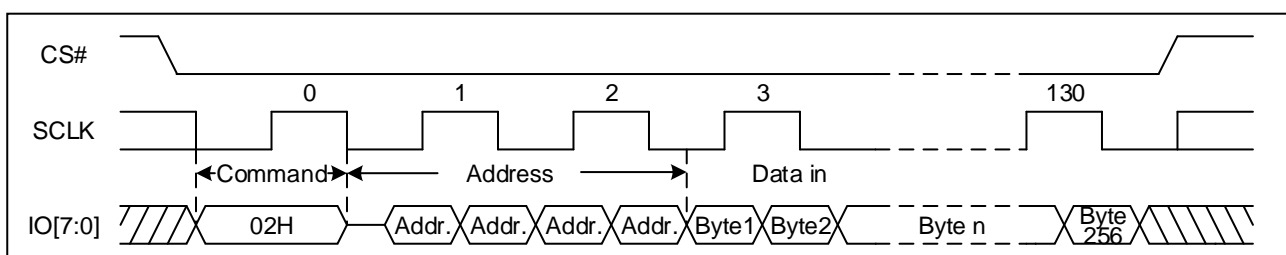
Note: The device default is in 24-bit address mode. For 4-Byte mode, the address length becomes 32-bit.

Figure 57. Page Program Sequence Diagram (STR OPI)



Note: The device default is in 24-bit address mode. For 4-Byte mode, the address length becomes 32-bit.

Figure 58. Page Program Sequence Diagram (DTR OPI)





9.20 Octal Page Program (82H/84H)

The Octal Page Program command is for programming the memory using four pins: IO[7:0]. A Write Enable (WREN) command must previously have been executed to set the Write Enable Latch (WEL) bit before sending the Page Program command. The Octal Page Program command is entered by driving CS# Low, followed by the command code (82H/84H), three or four address Bytes and at least one data Byte on IO pins.

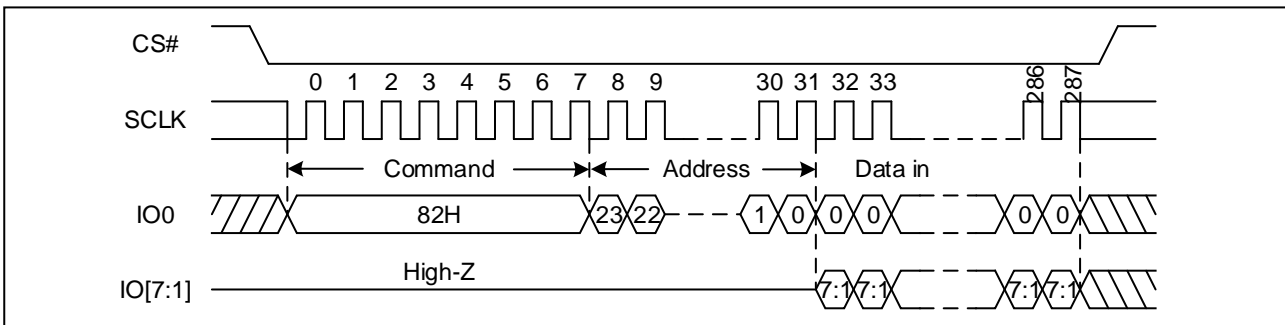
If more than 256 Bytes are sent to the device, previously latched data are discarded and the last 256 data Bytes are guaranteed to be programmed correctly within the same page. If less than 256 data Bytes are sent to device, they are correctly programmed at the requested addresses without having any effects on the other Bytes of the same page. CS# must be driven high after the eighth bit of the last data Byte has been latched in; otherwise the Octal Page Program (PP) command is not executed.

As soon as CS# is driven high, the self-timed Octal Page Program cycle (whose duration is t_{PP}) is initiated. While the Octal Page Program cycle is in progress, the Status Register may be read to check the value of the Write In Progress (WIP) bit. The Write in Progress (WIP) bit is 1 during the self-timed Octal Page Program cycle, and is 0 when it is completed. At some unspecified time before the cycle is completed, the Write Enable Latch (WEL) bit is reset.

A Octal Page Program command applied to a page which is protected by the Block Protect (BP4, BP3, BP2, BP1, and BP0) is not executed.

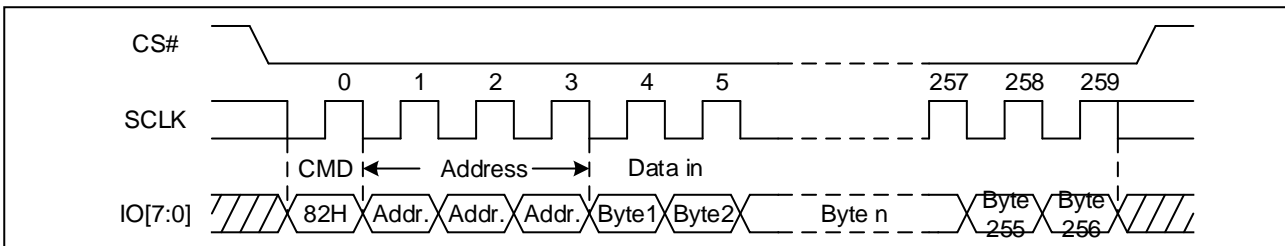
In DTR mode, the starting address given must be even (A0=0) and data Byte number must be even

Figure 59. Octal Page Program Sequence Diagram (SPI)



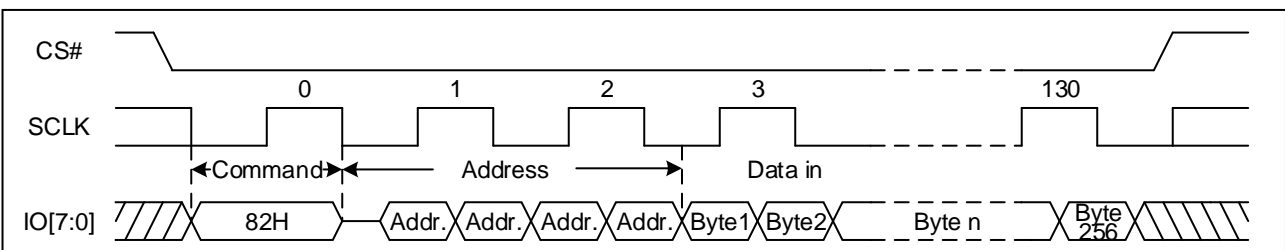
Note: The device default is in 24-bit address mode. For 4-Byte mode, the address length becomes 32-bit.

Figure 60. Page Program Sequence Diagram (STR OPI)



Note: The device default is in 24-bit address mode. For 4-Byte mode, the address length becomes 32-bit.

Figure 61. Page Program Sequence Diagram (DTR OPI)





9.21 Extend Octal Page Program (C2H/8EH)

The Extend Octal Page Program command is for programming the memory using eight pins: IO0, IO1, IO2, IO3, IO4, IO5, IO6 and IO7. A Write Enable (WREN) command must previously have been executed to set the Write Enable Latch (WEL) bit before sending the Page Program command. The extend Octal Page Program command is entered by driving CS# Low, followed by the command code (C2H/8EH), three or four address Bytes and at least one data Byte on IO pins.

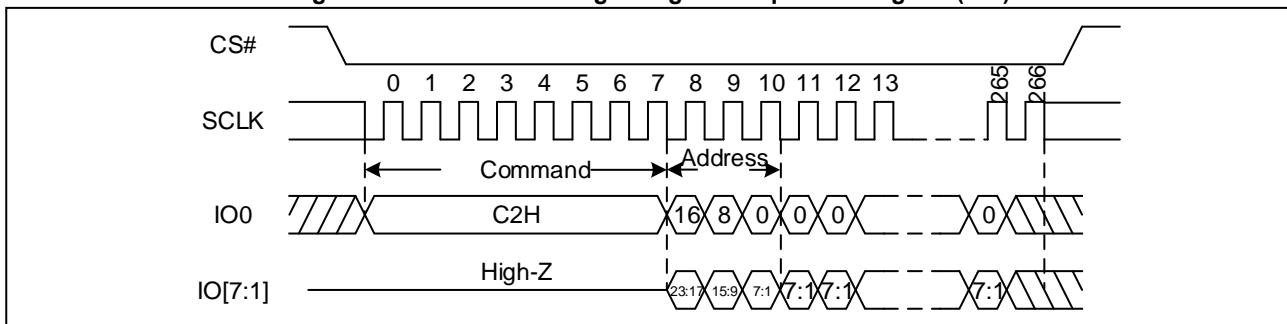
If more than 256 Bytes are sent to the device, previously latched data are discarded and the last 256 data Bytes are guaranteed to be programmed correctly within the same page. If less than 256 data Bytes are sent to device, they are correctly programmed at the requested addresses without having any effects on the other Bytes of the same page. CS# must be driven high after the eighth bit of the last data Byte has been latched in; otherwise the Extend Octal Page Program (EPP) command is not executed.

As soon as CS# is driven high, the self-timed Extend Octal Page Program cycle (whose duration is t_{PP}) is initiated. While the Extend Octal Page Program cycle is in progress, the Status Register may be read to check the value of the Write In Progress (WIP) bit. The Write in Progress (WIP) bit is 1 during the self-timed Extend Octal Page Program cycle, and is 0 when it is completed. At some unspecified time before the cycle is completed, the Write Enable Latch (WEL) bit is reset.

An Extend Octal Page Program command applied to a page which is protected by the Block Protect (BP4, BP3, BP2, BP1, and BP0) is not executed.

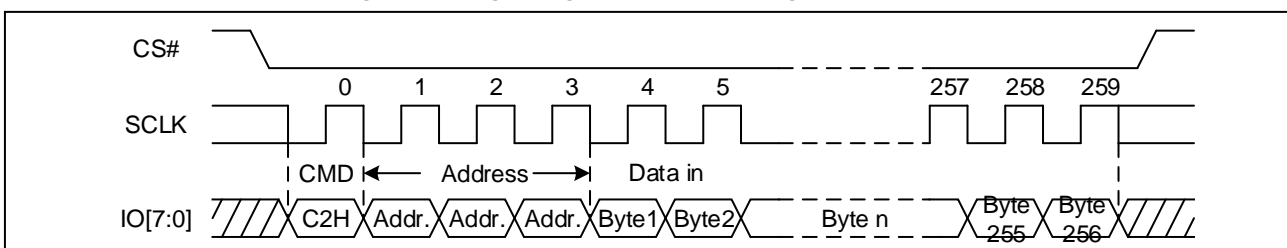
In DTR mode, the starting address given must be even (A0=0) and data Byte number must be even.

Figure 62. Extend Octal Page Program Sequence Diagram (SPI)



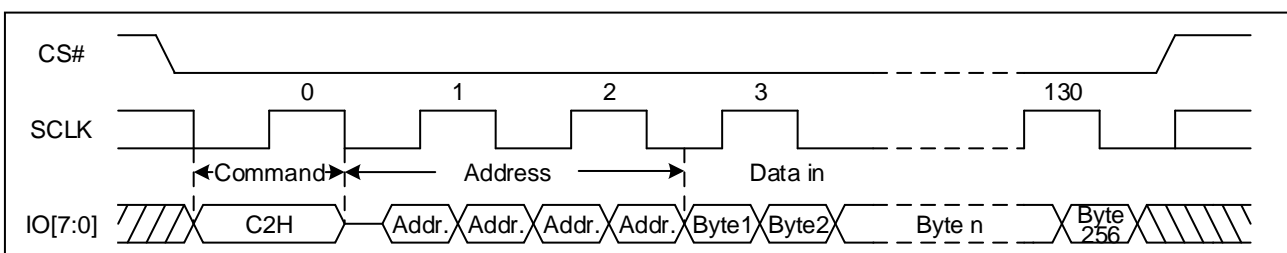
Note: The device default is in 24-bit address mode. For 4-Byte mode, the address length becomes 32-bit.

Figure 63. Page Program Sequence Diagram (STR OPI)



Note: The device default is in 24-bit address mode. For 4-Byte mode, the address length becomes 32-bit.

Figure 64. Page Program Sequence Diagram (DTR OPI)

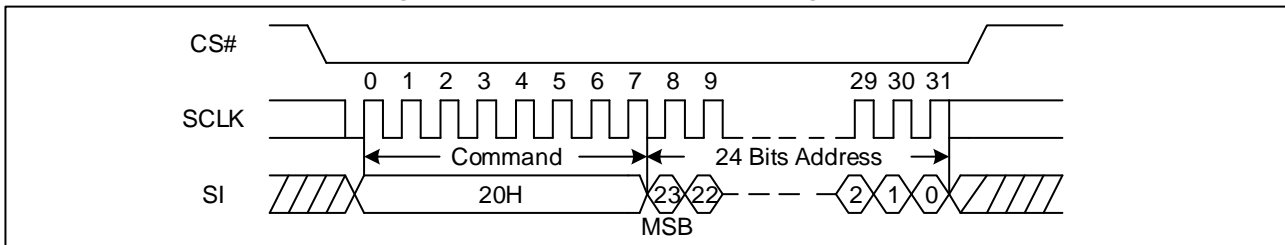




9.22 Sector Erase (SE) (20H/21H)

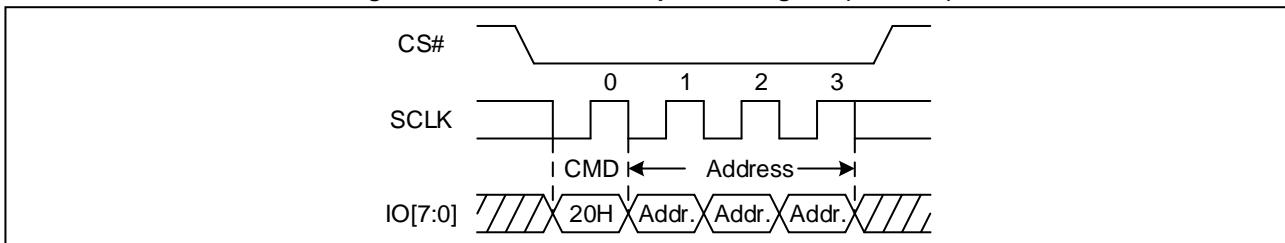
The Sector Erase (SE) command is erased the all data of the chosen sector. A Write Enable (WREN) command must previously have been executed to set the Write Enable Latch (WEL) bit. The Sector Erase (SE) command is entered by driving CS# low, followed by the command code, and 3-Byte address or 4-Byte address on SI. Any address inside the sector is a valid address for the Sector Erase (SE) command. CS# must be driven low for the entire duration of the sequence. The Sector Erase command sequence: CS# goes low → sending Sector Erase command → 3-Byte address or 4-Byte address on SI → CS# goes high. CS# must be driven high after the eighth bit of the last address Byte has been latched in; otherwise the Sector Erase (SE) command is not executed. As soon as CS# is driven high, the self-timed Sector Erase cycle (whose duration is t_{SE}) is initiated. While the Sector Erase cycle is in progress, the Status Register may be read to check the value of the Write in Progress (WIP) bit. The Write in Progress (WIP) bit is 1 during the self-timed Sector Erase cycle, and is 0 when it is completed. At some unspecified time before the cycle is completed, the Write Enable Latch (WEL) bit is reset. A Sector Erase (SE) command applied to a sector which is protected by the Block Protect (BP4, BP3, BP2, BP1, and BP0) bit is not executed.

Figure 65. Sector Erase Sequence Diagram (SPI)



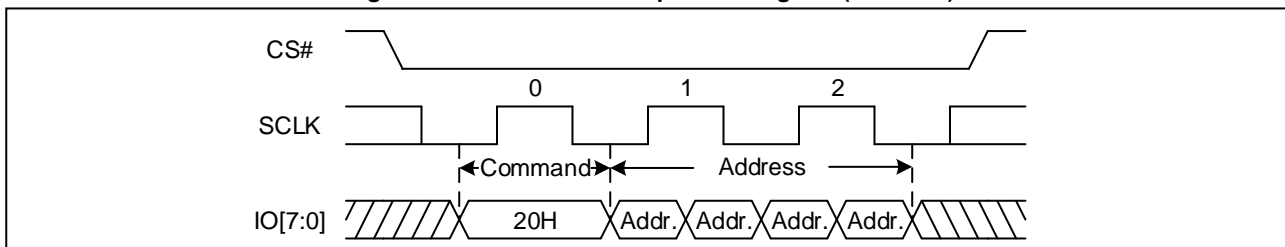
Note: The device default is in 24-bit address mode. For 4-Byte mode, the address length becomes 32-bit.

Figure 66. Sector Erase Sequence Diagram (STR OPI)



Note: The device default is in 24-bit address mode. For 4-Byte mode, the address length becomes 32-bit.

Figure 67. Sector Erase Sequence Diagram (DTR OPI)



9.23 32KB Block Erase (BE32) (52H/5CH)

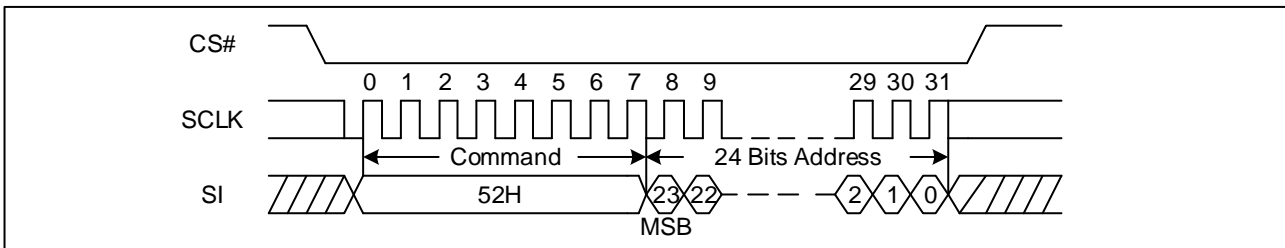
The 32KB Block Erase (BE) command is erased the all data of the chosen block. A Write Enable (WREN) command must previously have been executed to set the Write Enable Latch (WEL) bit. The 32KB Block Erase command is entered by driving CS# low, followed by the command code, and 3-Byte address or 4-Byte address on SI. Any address inside the block



is a valid address for the 32KB Block Erase command. CS# must be driven low for the entire duration of the sequence.

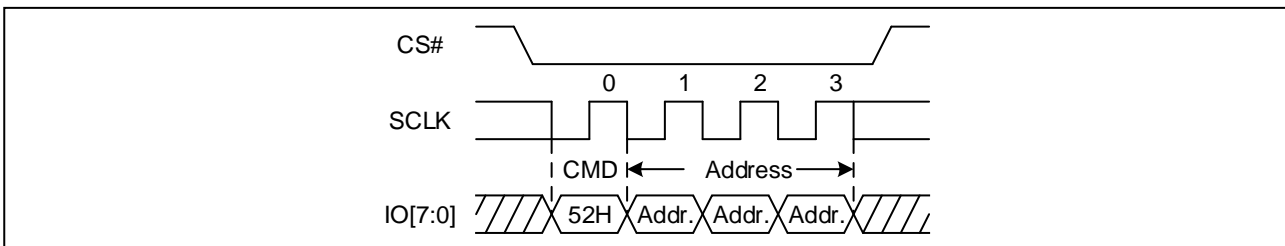
The 32KB Block Erase command sequence: CS# goes low → sending 32KB Block Erase command → 3-Byte address or 4-Byte address on SI → CS# goes high. CS# must be driven high after the eighth bit of the last address Byte has been latched in; otherwise the 32KB Block Erase command is not executed. As soon as CS# is driven high, the self-timed Block Erase cycle (whose duration is t_{BE1}) is initiated. While the Block Erase cycle is in progress, the Status Register may be read to check the value of the Write in Progress (WIP) bit. The Write in Progress (WIP) bit is 1 during the self-timed Block Erase cycle, and is 0 when it is completed. At some unspecified time before the cycle is completed, the Write Enable Latch (WEL) bit is reset. A 32KB Block Erase command applied to a block which is protected by the Block Protect (BP4, BP3, BP2, BP1, and BP0) bits is not executed.

Figure 68. 32KB Block Erase Sequence Diagram (SPI)



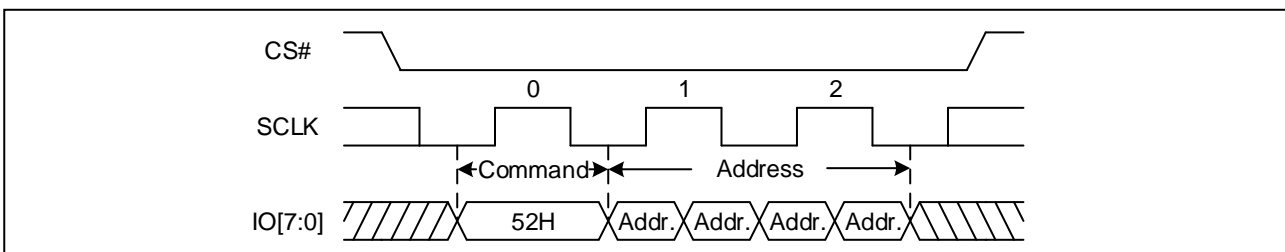
Note: The device default is in 24-bit address mode. For 4-Byte mode, the address length becomes 32-bit.

Figure 69. 32KB Block Erase Sequence Diagram (STR OPI)



Note: The device default is in 24-bit address mode. For 4-Byte mode, the address length becomes 32-bit.

Figure 70. 32KB Block Erase Sequence Diagram (DTR OPI)



9.24 64KB Block Erase (BE64) (D8H/DCH)

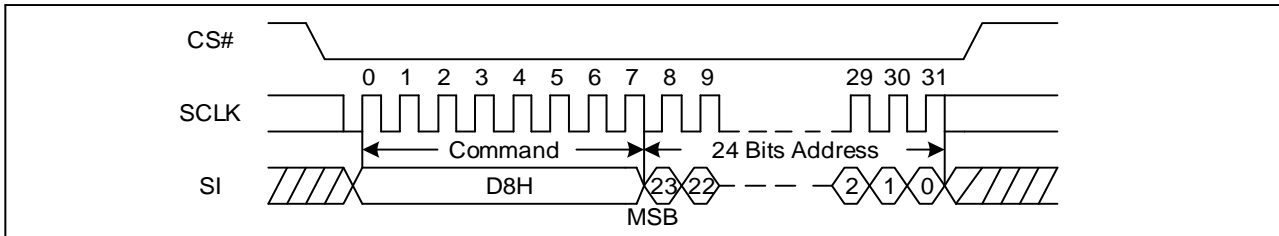
The 64KB Block Erase command is erased the all data of the chosen block. A Write Enable (WREN) command must previously have been executed to set the Write Enable Latch (WEL) bit. The 64KB Block Erase command is entered by driving CS# low, followed by the command code, and 3-Byte address or 4-Byte address on SI. Any address inside the block is a valid address for the 64KB Block Erase command. CS# must be driven low for the entire duration of the sequence.

The 64KB Block Erase command sequence: CS# goes low → sending 64KB Block Erase command → 3-Byte address or 4-Byte address on SI → CS# goes high. CS# must be driven high after the eighth bit of the last address Byte has been latched in; otherwise the 64KB Block Erase command is not executed. As soon as CS# is driven high, the self-timed Block



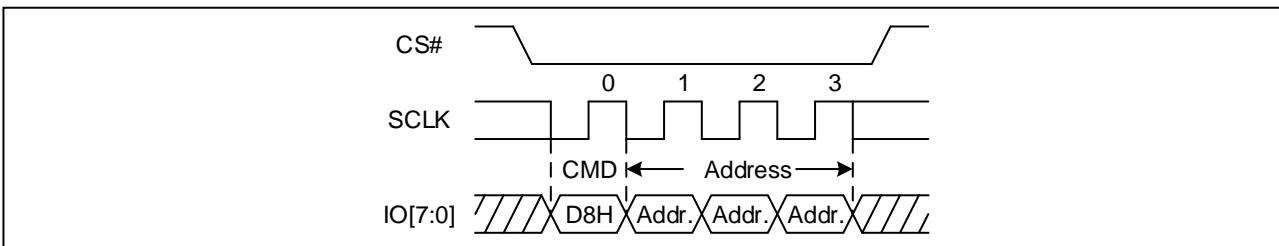
Erase cycle (whose duration is t_{BE2}) is initiated. While the Block Erase cycle is in progress, the Status Register may be read to check the value of the Write in Progress (WIP) bit. The Write in Progress (WIP) bit is 1 during the self-timed Block Erase cycle, and is 0 when it is completed. At some unspecified time before the cycle is completed, the Write Enable Latch (WEL) bit is reset. A 64KB Block Erase command applied to a block which is protected by the Block Protect (BP4, BP3, BP2, BP1, and BP0) bits is not executed.

Figure 71. 64KB Block Erase Sequence Diagram (SPI)



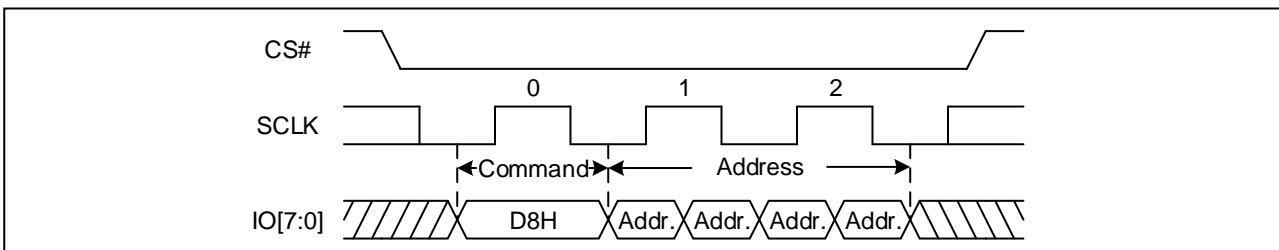
Note: The device default is in 24-bit address mode. For 4-Byte mode, the address length becomes 32-bit.

Figure 72. 64KB Block Sequence Diagram (STR OPI)



Note: The device default is in 24-bit address mode. For 4-Byte mode, the address length becomes 32-bit.

Figure 73. 64KB Block Sequence Diagram (DTR OPI)



9.25 Chip Erase (CE) (60H/C7H)

The Chip Erase (CE) command is erased the all data of the chip. A Write Enable (WREN) command must previously have been executed to set the Write Enable Latch (WEL) bit. The Chip Erase (CE) command is entered by driving CS# Low, followed by the command code on Serial Data Input (SI). CS# must be driven Low for the entire duration of the sequence. The Chip Erase command sequence: CS# goes low → sending Chip Erase command → CS# goes high. CS# must be driven high after the eighth bit of the command code has been latched in; otherwise the Chip Erase command is not executed. As soon as CS# is driven high, the self-timed Chip Erase cycle (whose duration is t_{CE}) is initiated. While the Chip Erase cycle is in progress, the Status Register may be read to check the value of the Write in Progress (WIP) bit. The Write in Progress (WIP) bit is 1 during the self-timed Chip Erase cycle, and is 0 when it is completed. At some unspecified time before the cycle is completed, the Write Enable Latch (WEL) bit is reset. The Chip Erase (CE) command is executed if the Block Protect (BP2, BP1, and BP0) bits are 0. The Chip Erase (CE) command is ignored if one or more sectors are protected.



Figure 74 Chip Erase Sequence Diagram (SPI)

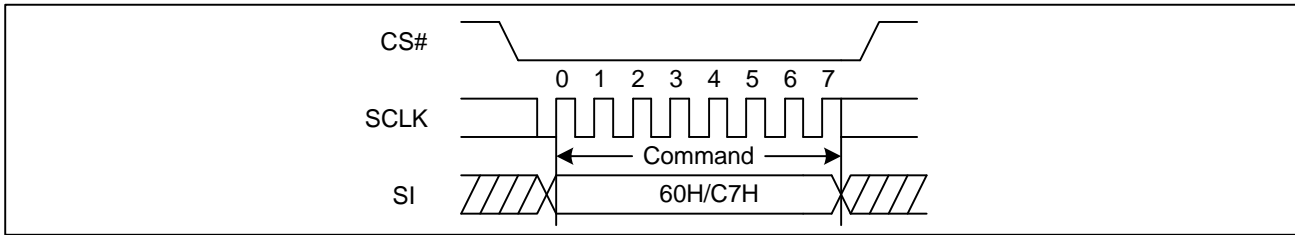
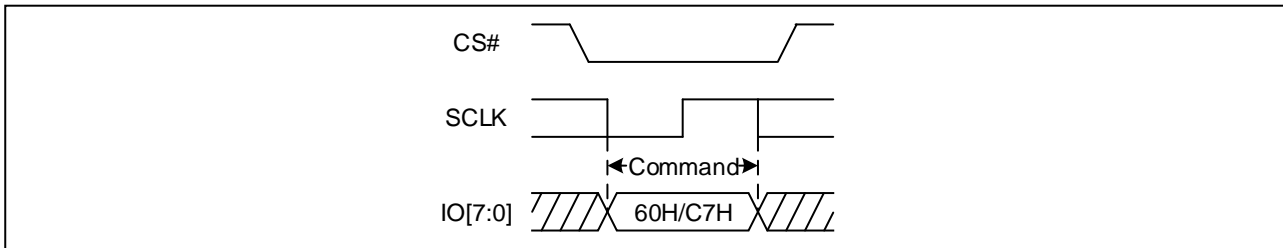


Figure 75. Chip Erase Sequence Diagram (OPI)



9.26 Deep Power-Down (DP) (B9H)

Executing the Deep Power-Down (DP) command is the only way to put the device in the lowest consumption mode (the Deep Power-Down Mode). It can also be used as an extra software protection mechanism, while the device is not in active use, since in this mode, the device ignores all Write, Program and Erase commands. Driving CS# high deselects the device, and puts the device in the Standby Mode (if there is no internal cycle currently in progress). But this mode is not the Deep Power-Down Mode. The Deep Power-Down Mode can only be entered by executing the Deep Power-Down (DP) command. Once the device has entered the Deep Power-Down Mode, all commands are ignored except the Release from Deep Power-Down (ABH) or Enable Reset (66H) and Reset (99H) commands. These commands can release the device from this mode. The Release from Deep Power-Down command releases the device from deep power down mode.

The Deep Power-Down Mode automatically stops at Power-Down, and the device is in the Standby Mode after Power-Up. The Deep Power-Down command sequence: CS# goes low → sending Deep Power-Down command → CS# goes high. CS# must be driven high after the eighth bit of the command code has been latched in; otherwise the Deep Power-Down (DP) command is not executed. As soon as CS# is driven high, it requires a delay of t_{DP} before the supply current is reduced to I_{CC2} and the Deep Power-Down Mode is entered. Any Deep Power-Down (DP) command, while an Erase, Program or Write cycle is in progress, is rejected without having any effects on the cycle that is in progress.

Figure 76. Deep Power-Down Sequence Diagram (SPI)

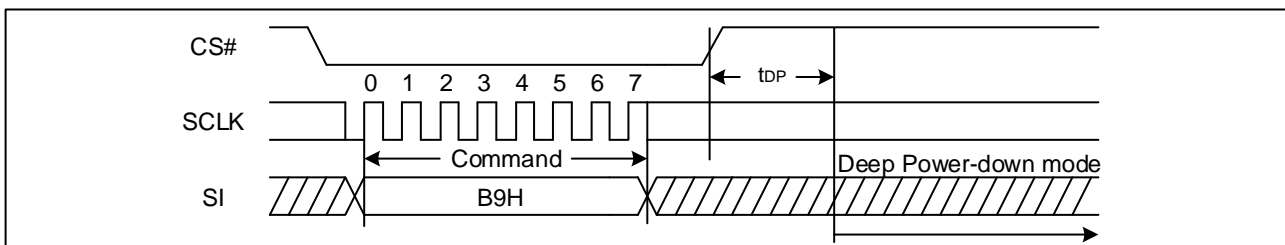
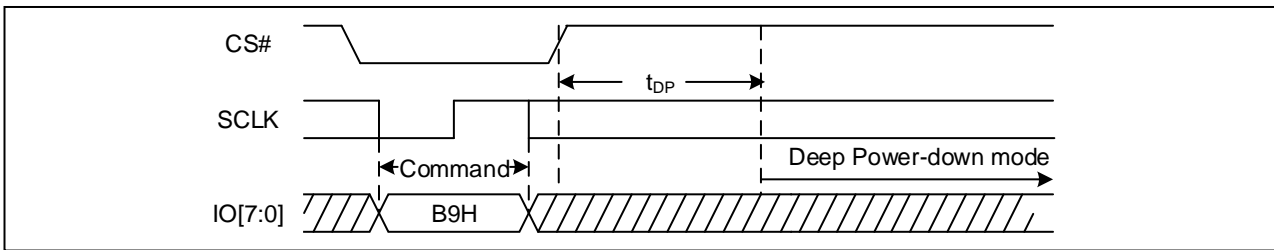




Figure 77. Deep Power-Down Sequence Diagram (OPI)



9.27 Release from Deep Power-Down (ABH)

To release the device from the Power-Down state, the command is issued by driving the CS# pin low, shifting the instruction code “ABH” and driving CS# high. Release from Power-Down will take the time duration of t_{RES1} (See AC Characteristics) before the device will resume normal operation and other command are accepted. The CS# pin must remain high during the t_{RES1} time duration.

When used to release the device from the Power-Down state, the command is the same as previously described, After this time duration the device will resume normal operation and other command will be accepted. If the Release from Power-Down command is issued while an Erase, Program or Write cycle is in process (when WIP equal 1) the command is ignored and will not have any effects on the current cycle.

Figure 78. Release Power-Down Sequence Diagram (SPI)

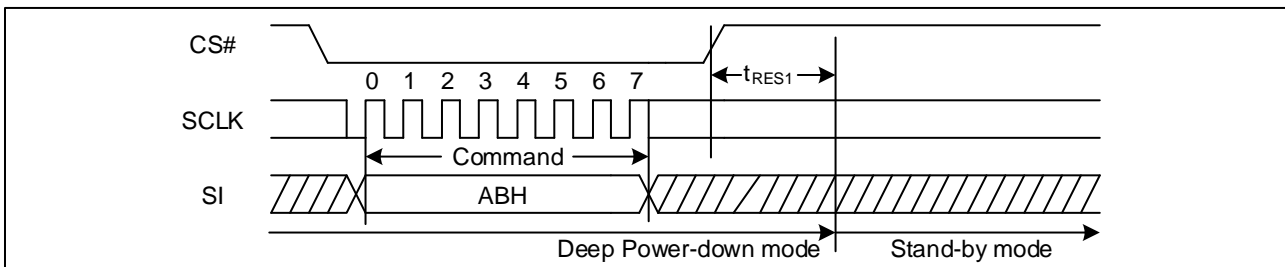
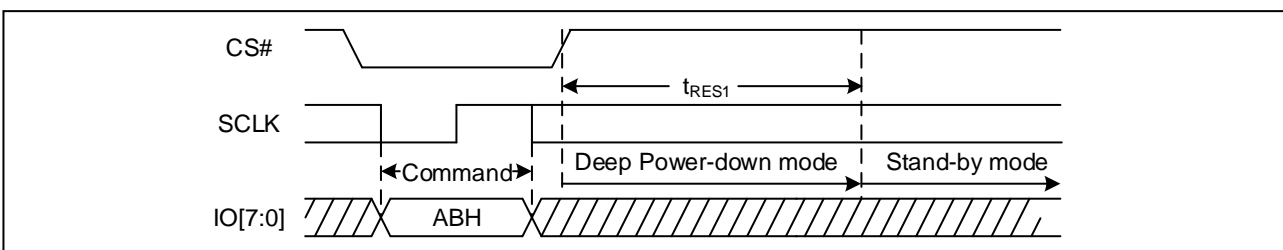


Figure 79. Release Power-Down Sequence Diagram (OPI)



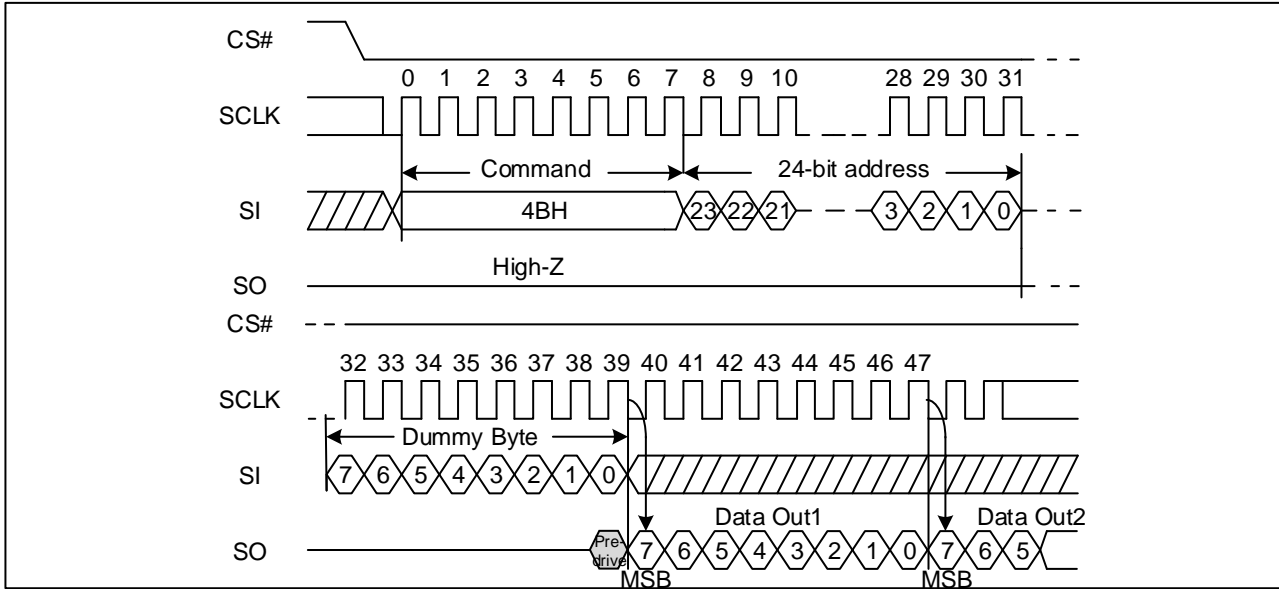
9.28 Read Unique ID (4BH)

The Read Unique ID command accesses a factory-set read-only 128bit number that is unique to each device. The Unique ID can be used in conjunction with user software methods to help prevent copying or cloning of a system.

The Read Unique ID command sequence: CS# goes low → sending Read Unique ID command → 3-Byte address (000000H) or 4-Byte address (00000000H) on SI → 1 Byte Dummy → 128bit Unique ID Out → CS# goes high.

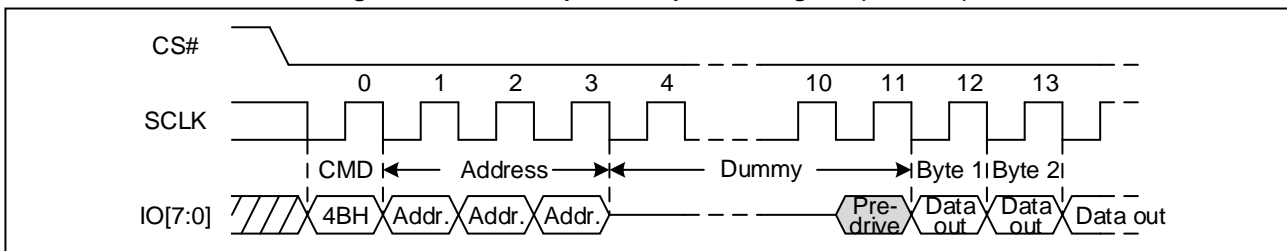


Figure 80. Read Unique ID Sequence Diagram (SPI)



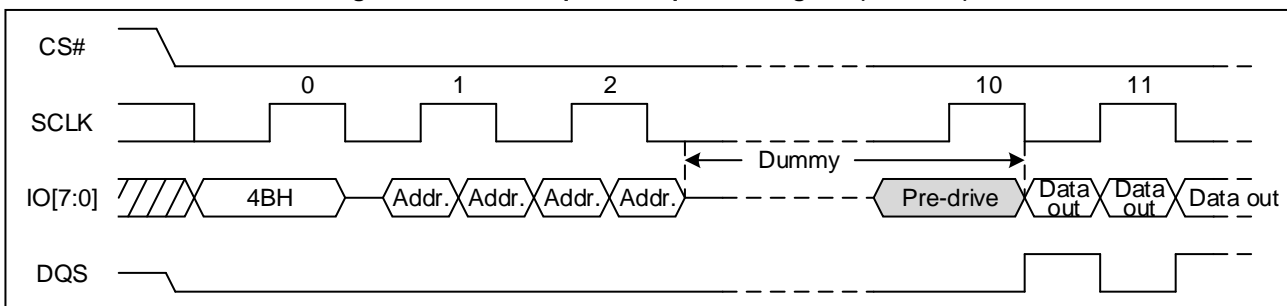
Note: The device default is in 24-bit address mode. For 4-Byte mode, the address length becomes 32-bit.

Figure 81. Read Unique ID Sequence Diagram (STR OPI)



Note: The device default is in 24-bit address mode. For 4-Byte mode, the address length becomes 32-bit.

Figure 82. Read Unique ID Sequence Diagram (DTR OPI)



9.29 Read Identification (RDID) (9FH/9EH)

The Read Identification (RDID) command allows the 8-bit manufacturer identification to be read, followed by three Bytes of device identification. The device identification indicates the memory type in the first Byte, and the memory capacity of the device in the second Byte. The Read Identification (RDID) command can be decoded at any time, even while a Program, Erase or Write Status Register cycle is in progress. The Read Identification (RDID) command should not be issued while the device is in Deep Power-Down Mode.

The device is first selected by driving CS# low. Then, the 8-bit command code for the command is shifted in. This is followed by the 32-bit device identification, stored in the memory. Each bit is shifted out on the falling edge of Serial Clock. The Read



Identification (RDID) command is terminated by driving CS# high at any time during data output. When CS# is driven high, the device is in the Standby Mode. Once in the Standby Mode, the device waits to be selected, so that it can receive, decode and execute commands.

Figure 83. Read Identification ID Sequence Diagram (SPI)

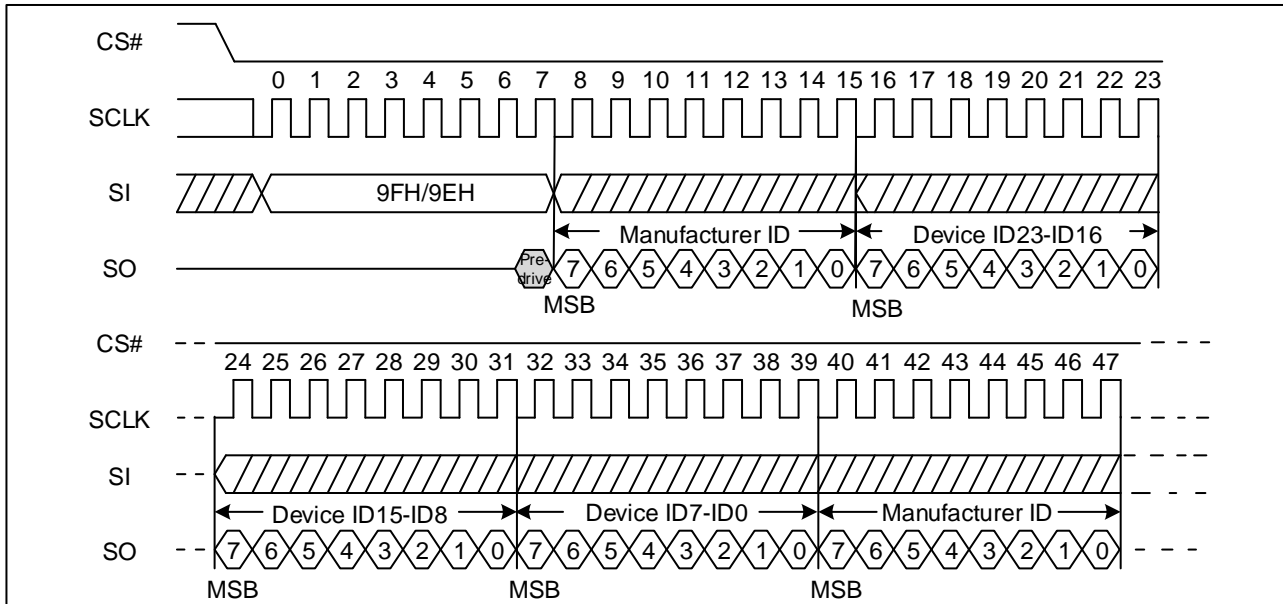


Figure 84. Read Identification ID Sequence Diagram (STR, OPI)

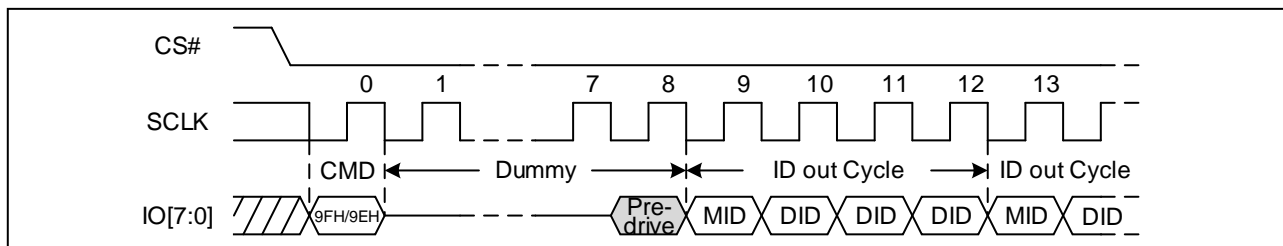
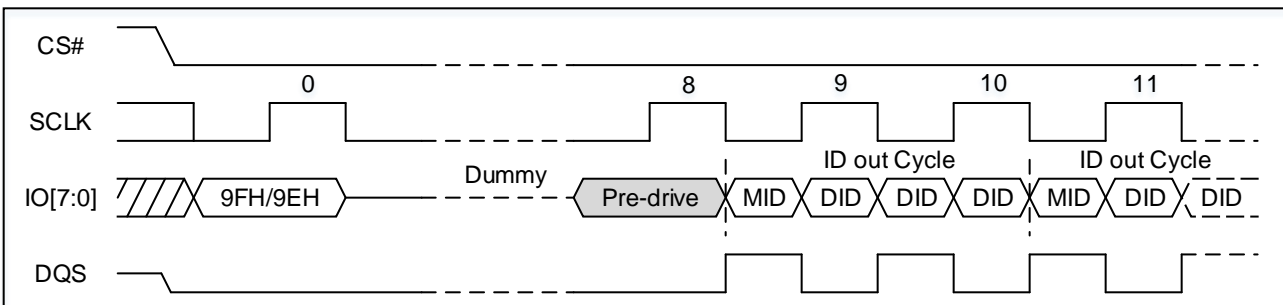


Figure 85. Read Identification ID Sequence Diagram (DTR, OPI)



9.30 Program/Erase Suspend (PES) (75H)

The Program/Erase Suspend command “75H”, allows the system to interrupt a page program or sector/block erase operation and then read data from any other sector or block. The Write Register command (01H, B1H) and Erase/Program Security Registers command (44H, 42H) and Erase commands (20H/21H, 52H/5CH, D8H/DCH, C7H, 60H) and Page Program command (02H/12H, 82H/84H, C2H/8EH) are not allowed during Program suspend. The Write Register command (01H, B1H) and Erase Security Registers command (44H) and Erase commands (20H/21H, 52H/5CH, D8H/DCH, C7H,



60H) are not allowed during Erase suspend. Program/Erase Suspend is valid only during the page program or sector/block erase operation. A maximum of time of “tsus” (See AC Characteristics) is required to suspend the program/erase operation. The Program/Erase Suspend command will be accepted by the device only if the SUS2/SUS1 bit in the Flag Status Register equal to 0 and WIP bit equal to 1 while a Page Program or a Sector or Block Erase operation is on-going. If the SUS2/SUS1 bit equal to 1 or WIP bit equal to 0, the Suspend command will be ignored by the device. The WIP bit will be cleared from 1 to 0 within “tsus” and the SUS2/SUS1 bit will be set from 0 to 1 immediately after Program/Erase Suspend. A power-off during the suspend period will reset the device and release the suspend state.

Figure 86. Program/Erase Suspend Sequence Diagram (SPI)

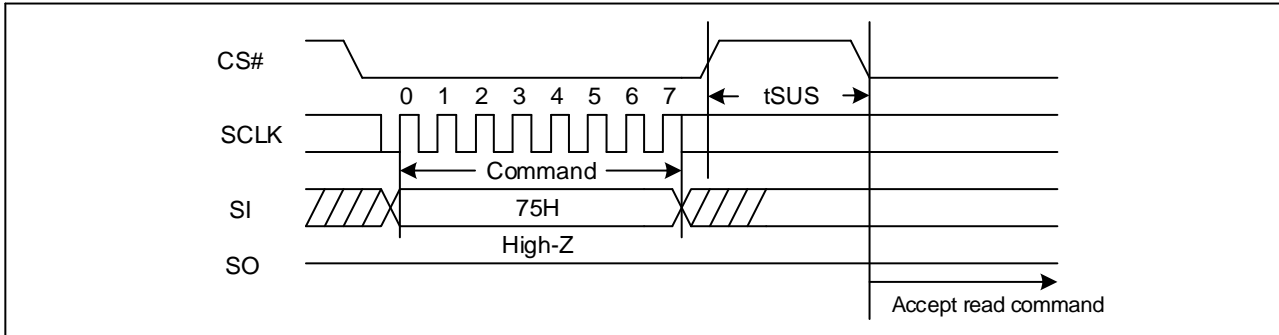
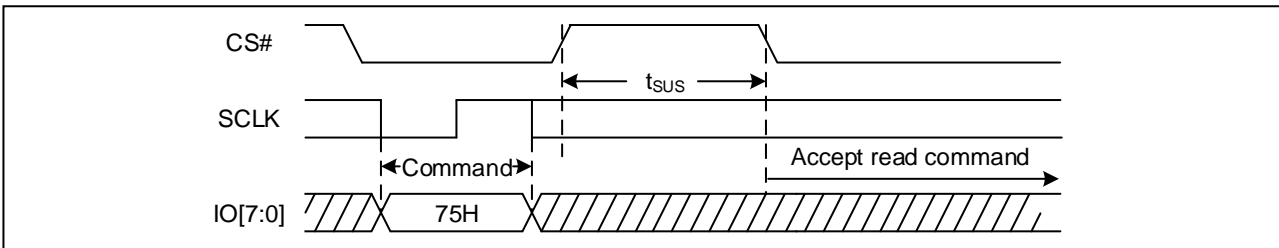


Figure 87. Program/Erase Suspend Sequence Diagram (OPI)



9.31 Program/Erase Resume (PER) (7AH)

The Program/Erase Resume command must be written to resume the program or sector/block erase operation after a Program/Erase Suspend command. The Program/Erase Resume command will be accepted by the device only if the SUS2/SUS1 bit equal to 1 and the WIP bit equal to 0. After issued the SUS2/SUS1 bit in the status register will be cleared from 1 to 0 immediately, the WIP bit will be set from 0 to 1 within 200ns and the Sector or Block will complete the erase operation or the page will complete the program operation. The Program/Erase Resume command will be ignored unless a Program/Erase Suspend is active.

Figure 88. Program/Erase Resume Sequence Diagram (SPI)

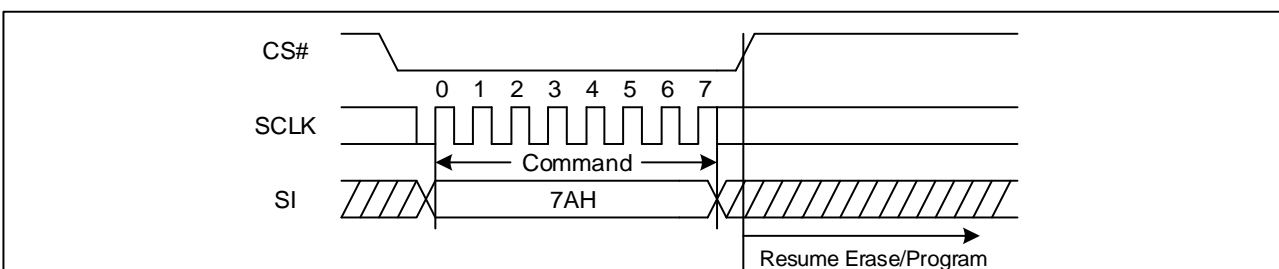
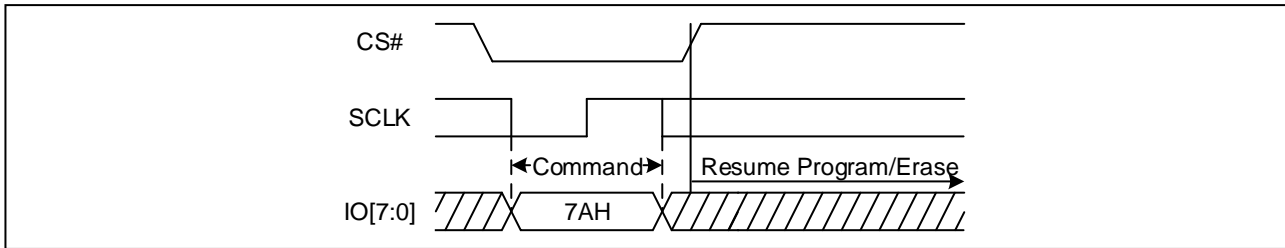




Figure 89. Program/Erase Resume Sequence Diagram (OPI)



9.32 Erase Security Registers (44H)

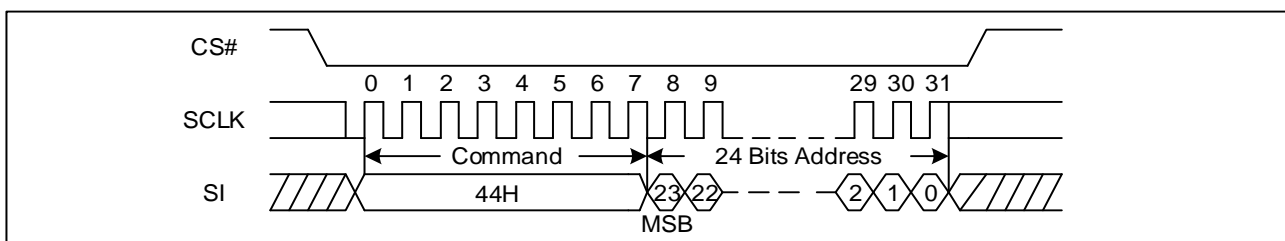
The GD55LX01GE provides 4K-Byte Security Registers which can be erased and programmed individually. These registers may be used by the system manufacturers to store security and other important information separately from the main memory array.

The Erase Security Registers command is similar to Sector/Block Erase command. A Write Enable (WREN) command must previously have been executed to set the Write Enable Latch (WEL) bit.

The Erase Security Registers command sequence: CS# goes low → sending Erase Security Registers command → 3- or 4-Byte address on SI → CS# goes high. CS# must be driven high after the eighth bit of the last address Byte has been latched in; otherwise the Erase Security Registers command is not executed. As soon as CS# is driven high, the self-timed Erase Security Registers cycle (whose duration is t_{SE}) is initiated. While the Erase Security Registers cycle is in progress, the Status Register may be read to check the value of the Write in Progress (WIP) bit. The Write in Progress (WIP) bit is 1 during the self-timed Erase Security Registers cycle, and is 0 when it is completed. At some unspecified time before the cycle is completed, the Write Enable Latch (WEL) bit is reset. The Security Registers Lock Bit in the Configuration Register can be used to OTP protect the security registers. Once the bit is set to 1, the Security Registers will be permanently locked; the Erase Security Registers command will be ignored.

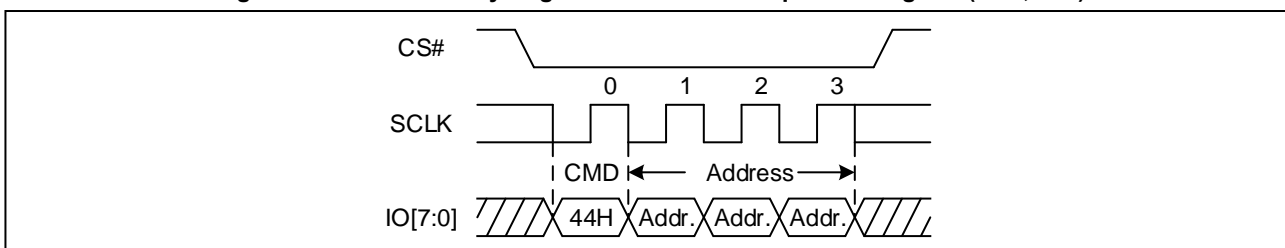
Address	A23-16	A15-12	A11-8	A7-0
Security Register	00H	0 0 0 0	Page Address	Byte Address

Figure 90. Erase Security Registers command Sequence Diagram (SPI)



Note: The device default is in 24-bit address mode. For 4-Byte mode, the address length becomes 32-bit.

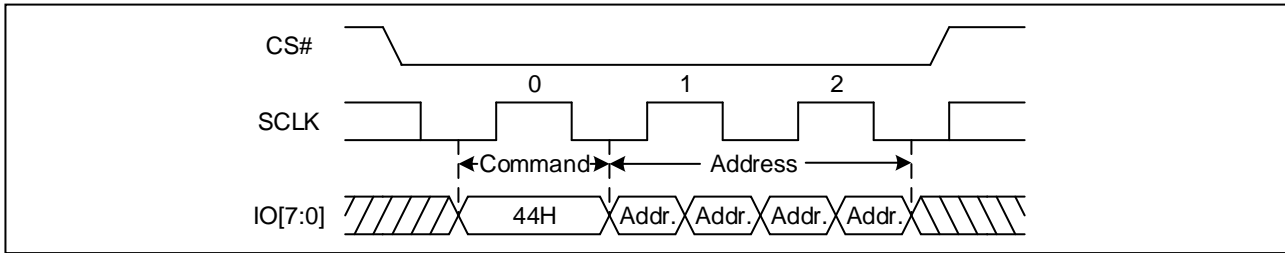
Figure 91. Erase Security Registers command Sequence Diagram (STR, OPI)



Note: The device default is in 24-bit address mode. For 4-Byte mode, the address length becomes 32-bit.



Figure 92. Erase Security Registers command Sequence Diagram (DTR, OPI)



9.33 Program Security Registers (42H)

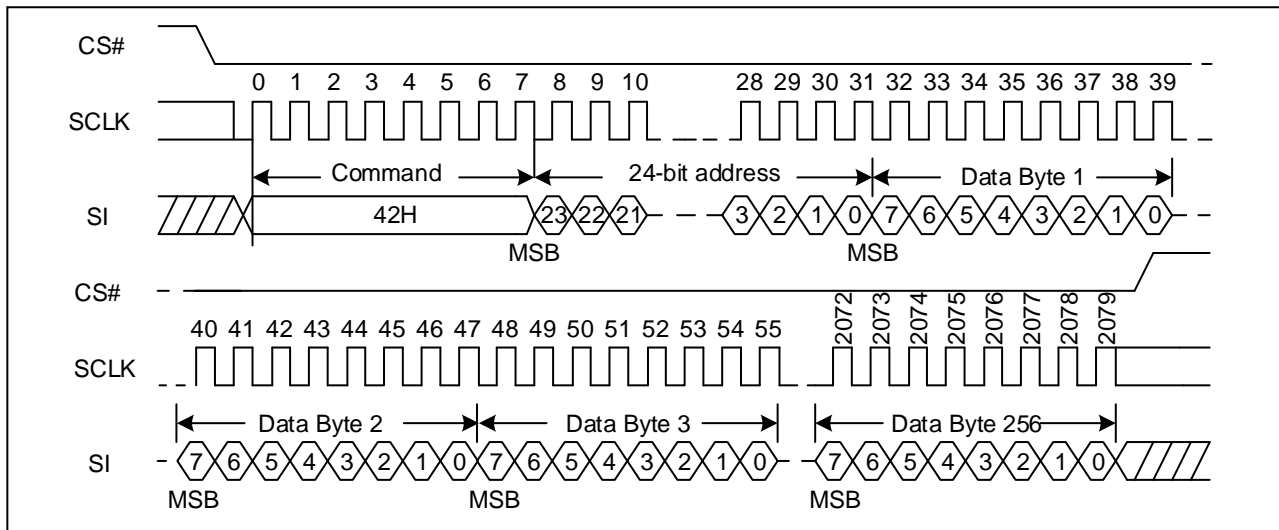
The Program Security Registers command is similar to the Page Program command. The security register contains 16 pages content. A Write Enable (WREN) command must previously have been executed to set the Write Enable Latch (WEL) bit before sending the Program Security Registers command. The Program Security Registers command is entered by driving CS# Low, followed by the command code (42H), three address Bytes and at least one data Byte on SI. As soon as CS# is driven high, the self-timed Program Security Registers cycle (whose duration is tPP) is initiated. While the Program Security Registers cycle is in progress, the Status Register may be read to check the value of the Write in Progress (WIP) bit. The Write in Progress (WIP) bit is 1 during the self-timed Program Security Registers cycle, and is 0 when it is completed. At some unspecified time before the cycle is completed, the Write Enable Latch (WEL) bit is reset.

If the Security Registers Lock Bit is set to 1, the Security Registers will be permanently locked. Program Security Registers command will be ignored.

In DTR mode, the starting address given must be even (A0=0) and data Byte number must be even.

Address	A23-16	A15-12	A11-8	A7-0
Security Register	00H	0 0 0 0	Page Address	Byte Address

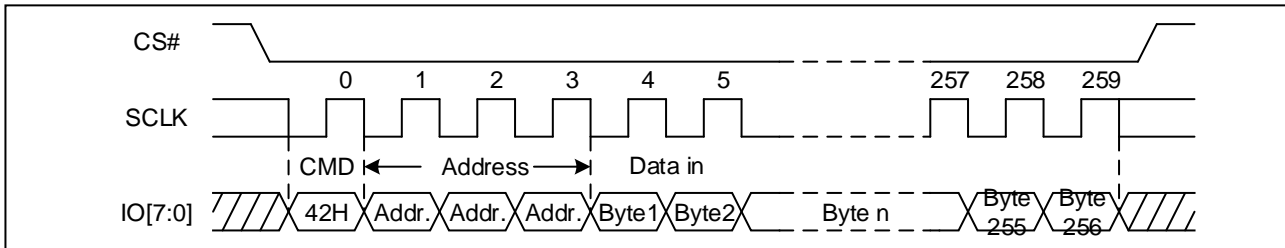
Figure 93. Program Security Registers command Sequence Diagram (SPI)



Note: The device default is in 24-bit address mode. For 4-Byte mode, the address length becomes 32-bit.

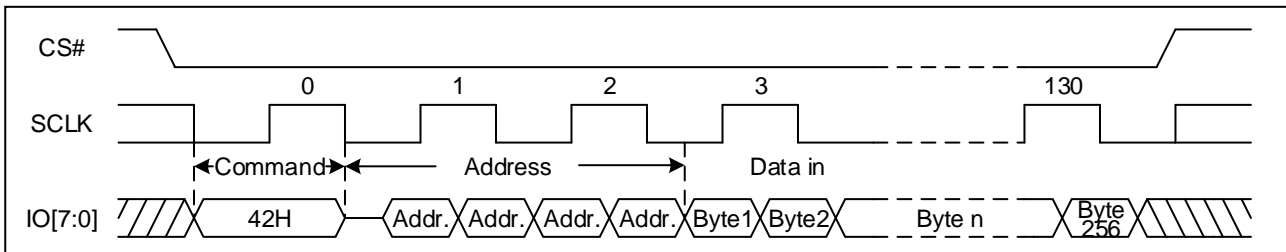


Figure 94. Program Security Registers command Sequence Diagram (STR OPI)



Note: The device default is in 24-bit address mode. For 4-Byte mode, the address length becomes 32-bit.

Figure 95. Program Security Registers command Sequence Diagram (DTR OPI)



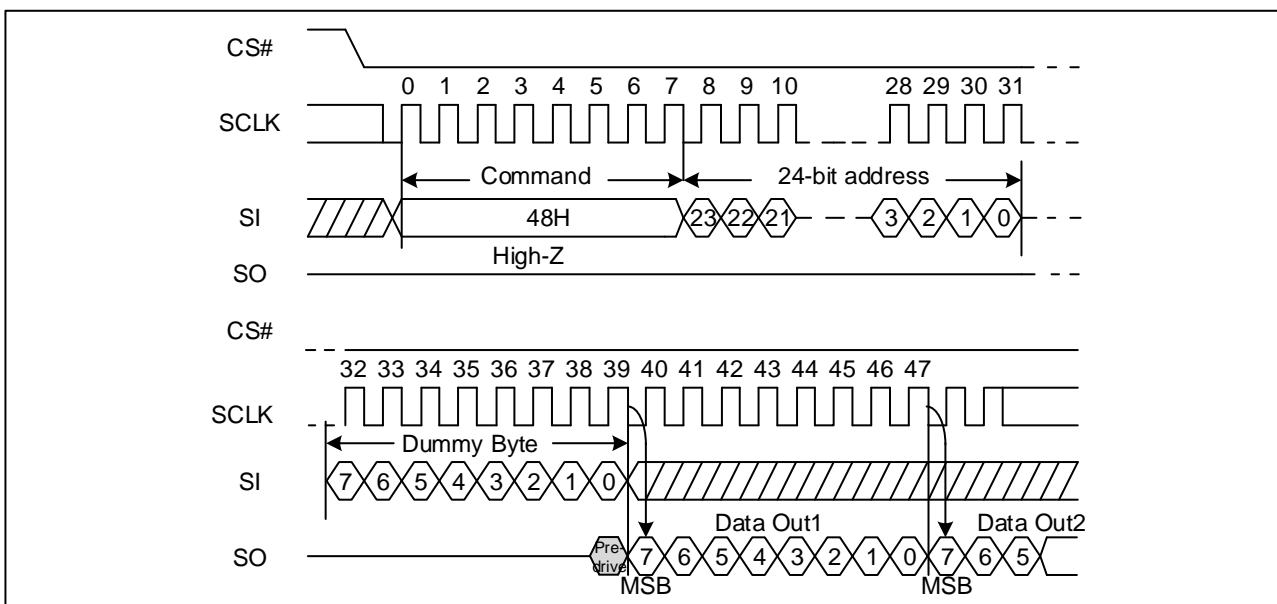
9.34 Read Security Registers (48H)

The Read Security Registers command is similar to Fast Read command. The command is followed by a 3-Byte or 4-Byte address (A23-A0 or A31-A0) and a dummy Byte, and each bit is latched-in on the rising edge of SCLK. Then the memory content, at that address, is shifted out on SO, and each bit is shifted out, at a Max frequency f_c , on the falling edge of SCLK. The first Byte addressed can be at any location. The address is automatically incremented to the next higher address after each Byte of data is shifted out. Once the A11-A0 address reaches the last Byte of the register (Byte FFFH), it will reset to 000H, the command is completed by driving CS# high.

In DTR mode, the starting address given must be even (A0=0) and data Byte number must be even.

Address	A23-16	A15-12	A11-8	A7-0
Security Register	00H	0 0 0 0	Page Address	Byte Address

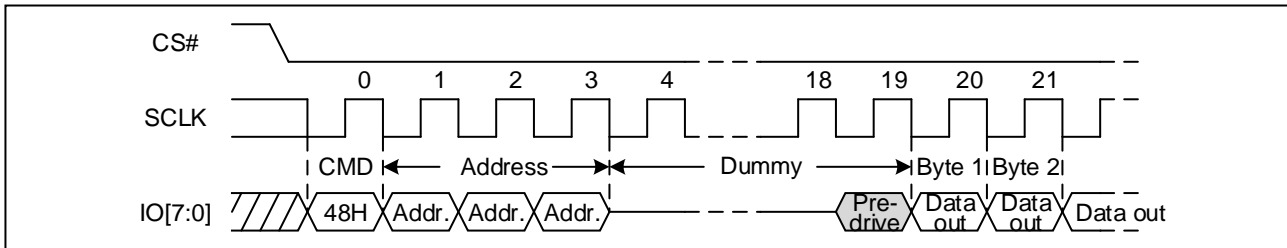
Figure 96. Read Security Registers command Sequence Diagram (SPI)



Note: The device default is in 24-bit address mode. For 4-Byte mode, the address length becomes 32-bit.

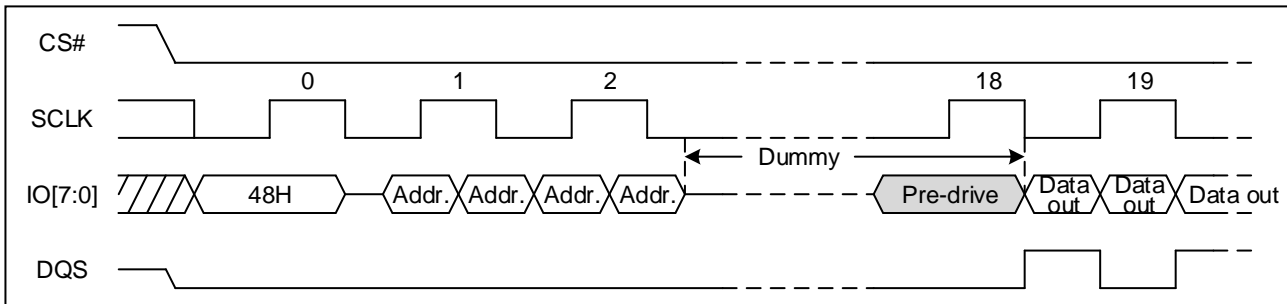


Figure 97. Read Security Registers command Sequence Diagram (STR OPI)



Note: The device default is in 24-bit address mode. For 4-Byte mode, the address length becomes 32-bit.

Figure 98. Read Security Registers command Sequence Diagram (DTR OPI)



9.35 Individual Block/Sector Lock (36H)/Unlock (39H)/Read (3DH)

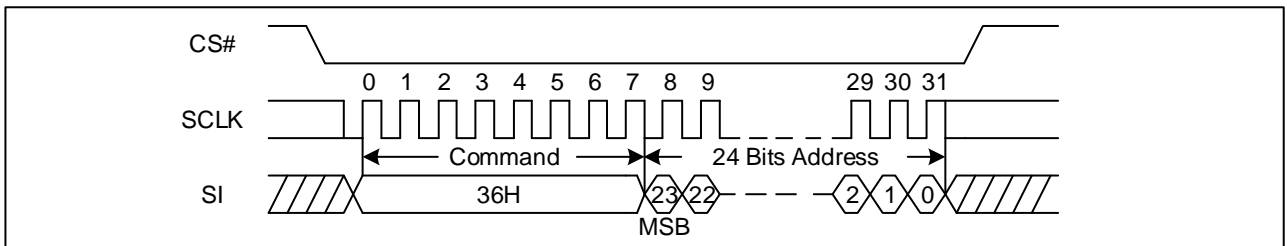
The individual block/sector lock provides an alternative way to protect the memory array from adverse Erase/Program. In order to use the Individual Block/Sector Locks, the WPS bit in Configuration Register bit 2 at address 04h must be set to 0. If WPS=1, the write protection will be determined by the combination of BP (4:0) bits in the Status Register.

The individual Block/Sector Lock command (36H) sequence: CS# goes low → SI: Sending individual Block/Sector Lock command → SI: Sending 3-Byte or 4-Byte individual Block/Sector Lock Address → CS# goes high.

The individual Block/Sector Unlock command (39H) sequence: CS# goes low → SI: Sending individual Block/Sector Unlock command → SI: Sending 3-Byte or 4-Byte individual Block/Sector Lock Address → CS# goes high.

The Read individual Block/Sector lock command (3DH) sequence: CS# goes low → SI: Sending Read individual Block/Sector Lock command → SI: Sending 3-Byte or 4-Byte individual Block/Sector Lock Address → SO: The Block/Sector Lock Bit will out → CS# goes high. If the least significant bit (LSB) is 1, the corresponding block/sector is locked, if the LSB is 0, the corresponding block/sector is unlocked, Erase/Program operation can be performed.

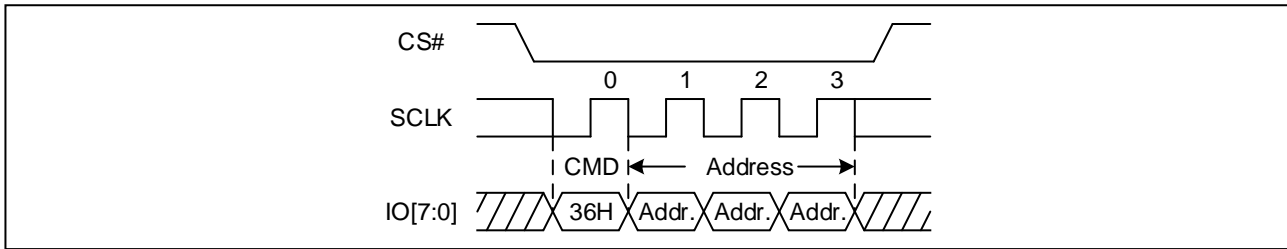
Figure 99. Individual Block/Sector Lock command Sequence Diagram (SPI)



Note: The device default is in 24-bit address mode. For 4-Byte mode, the address length becomes 32-bit.



Figure 100. Individual Block/Sector Lock command Sequence Diagram (STR OPI)



Note: The device default is in 24-bit address mode. For 4-Byte mode, the address length becomes 32-bit.

Figure 101. Individual Block/Sector Lock command Sequence Diagram (DTR OPI)

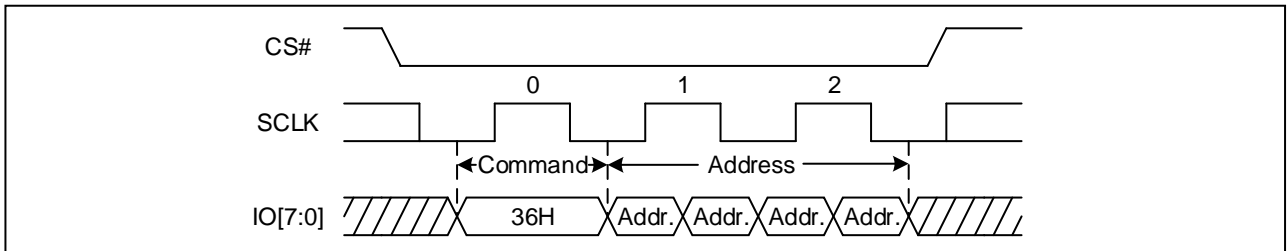
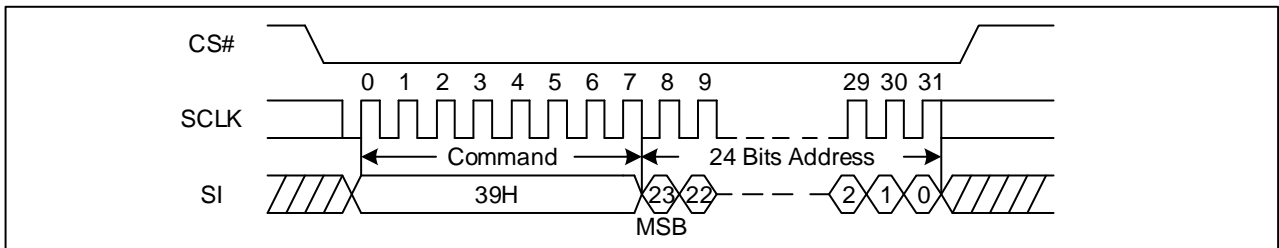
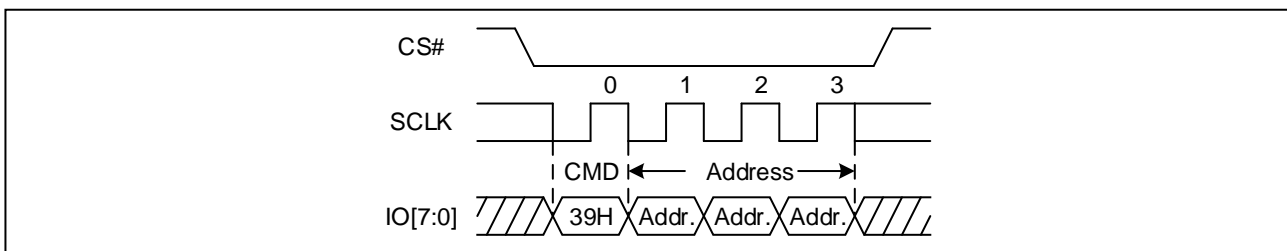


Figure 102. Individual Block/Sector Unlock command Sequence Diagram (SPI)



Note: The device default is in 24-bit address mode. For 4-Byte mode, the address length becomes 32-bit.

Figure 103. Individual Block/Sector Unlock command Sequence Diagram (STR OPI)



Note: The device default is in 24-bit address mode. For 4-Byte mode, the address length becomes 32-bit.

Figure 104. Individual Block/Sector Unlock command Sequence Diagram (DTR OPI)

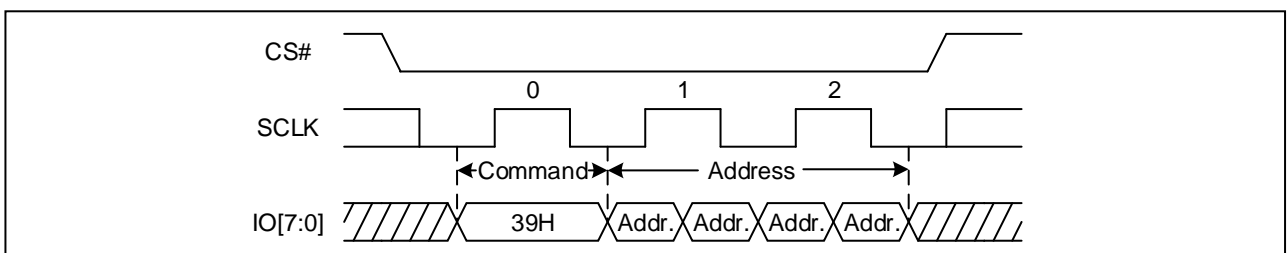
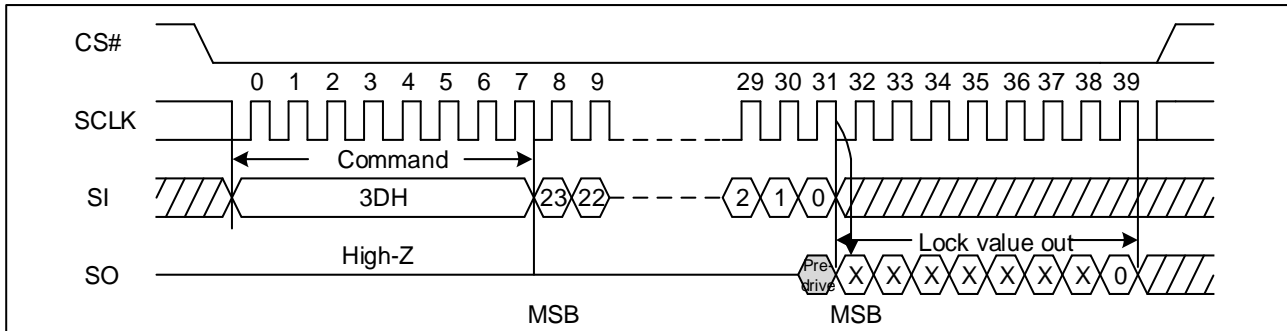


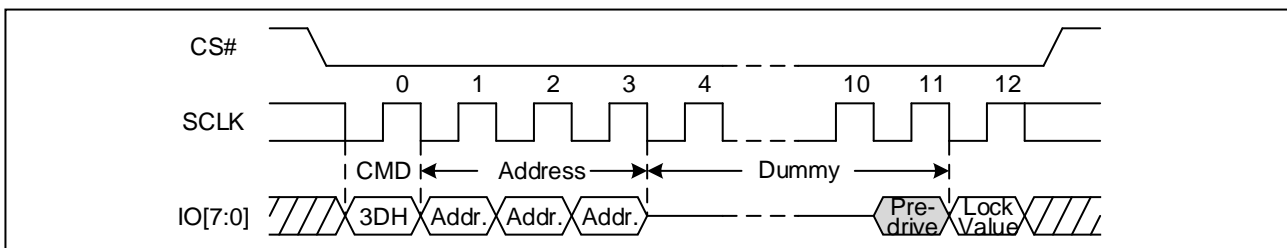


Figure 105. Read Individual Block/Sector lock command Sequence Diagram (SPI)



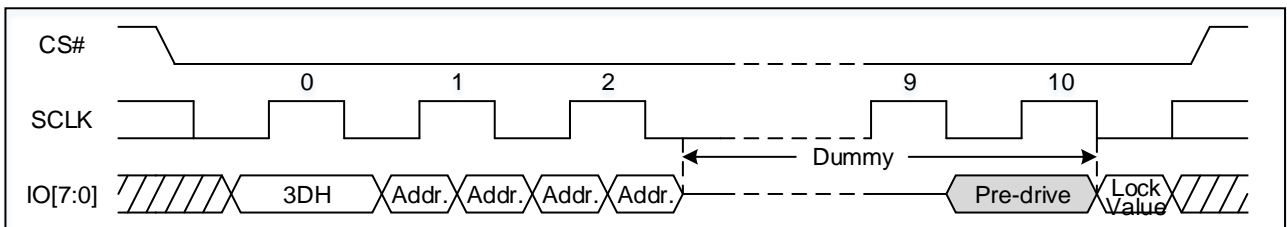
Note: The device default is in 24-bit address mode. For 4-Byte mode, the address length becomes 32-bit.

Figure 106. Read Individual Block/Sector lock command Sequence Diagram (STR OPI)



Note: The device default is in 24-bit address mode. For 4-Byte mode, the address length becomes 32-bit.

Figure 107. Read Individual Block/Sector lock command Sequence Diagram (DTR OPI)



9.36 Global Block/Sector Lock (7EH) or Unlock (98H)

All Block/Sector Lock bits can be set to 1 by the Global Block/Sector Lock command, or can set to 0 by the Global Block/Sector Unlock command.

The Global Block/Sector Lock command (7EH) sequence: CS# goes low →SI: Sending Global Block/Sector Lock command→ CS# goes high.

The Global Block/Sector Unlock command (98H) sequence: CS# goes low →SI: Sending Global Block/Sector Unlock command→ CS# goes high.

Figure 108. The Global Block/Sector Lock Sequence Diagram (SPI)

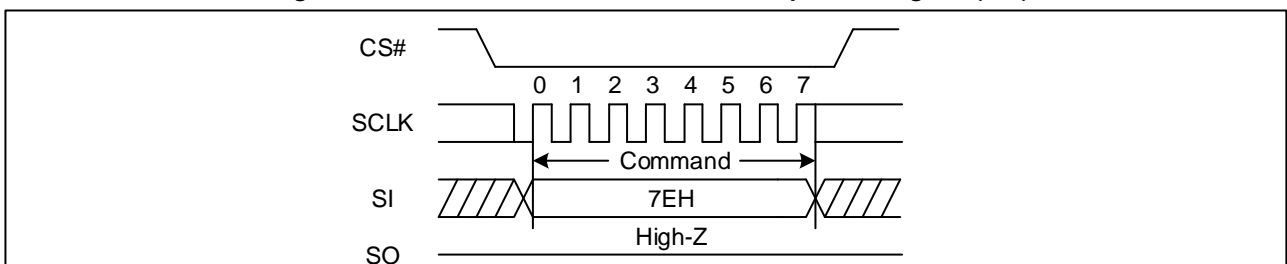




Figure 109. The Global Block/Sector Lock Sequence Diagram (OPI)

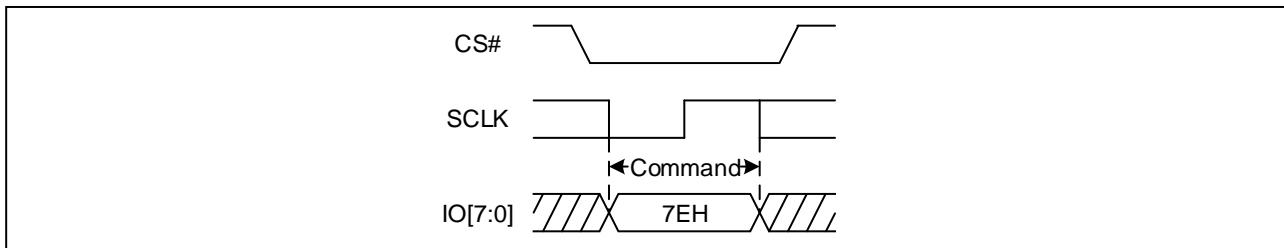


Figure 110. The Global Block/Sector Unlock Sequence Diagram (SPI)

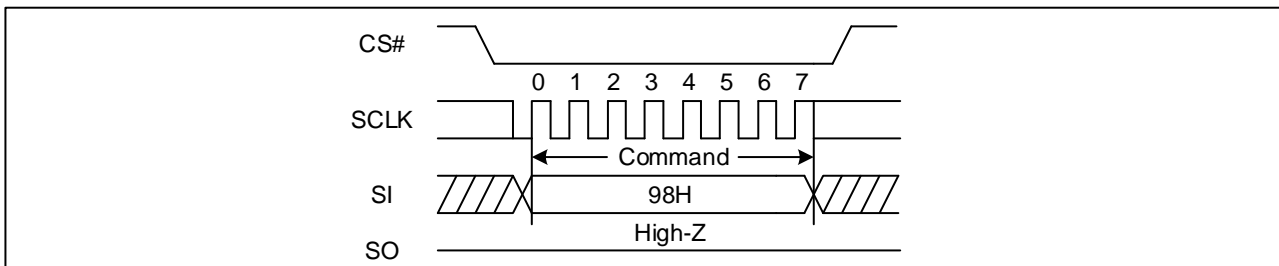
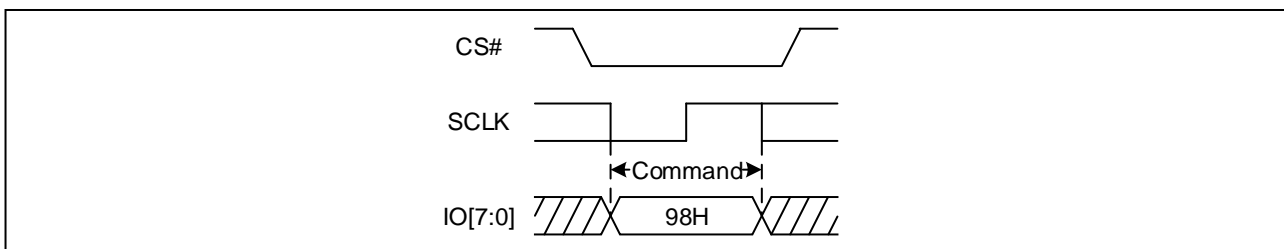


Figure 111. The Global Block/Sector Unlock Sequence Diagram (OPI)



9.37 Enable Reset (66H) and Reset (99H)

If the Reset command is accepted, any on-going internal operation will be terminated and the device will return to its default power-on state and lose all the current volatile settings, such as Volatile Status Register bits, Write Enable Latch status (WEL), Program/Erase Suspend status, Deep Power Down Mode, Continuous Read Mode bit setting (M7-M0).

When Flash is in OPI Mode, DTR Mode or Continuous Read Mode (XIP), 66H&99H cannot reset Flash to power-on state.

Therefore, it is recommended to send the following sequence to reset Flash in these modes:

1. 8CLK with IO<7:0>=all "H" or all "L": ensure Flash quit XIP mode
2. OPI format 66H/99H: ensure Flash in OPI mode and DTR mode can be reset
3. SPI format 66H/99H: ensure Flash in SPI mode can be reset

The "Enable Reset (66H)" and the "Reset (99H)" commands can be issued in either SPI or OPI mode. The "Reset (99H)" command sequence as follow: CS# goes low → Sending Enable Reset command → CS# goes high → CS# goes low → Sending Reset command → CS# goes high. Once the Reset command is accepted by the device, the device will take approximately tRST / tRST_E to reset. During this period, no command will be accepted. Data corruption may happen if there is an on-going or suspended internal Erase or Program operation when Reset command sequence is accepted by the device. It is recommended to check the WIP bit and the SUS1/SUS2 bits in Flag Status Register before issuing the Reset command sequence.



Figure 112. Enable Reset and Reset command Sequence Diagram (SPI)

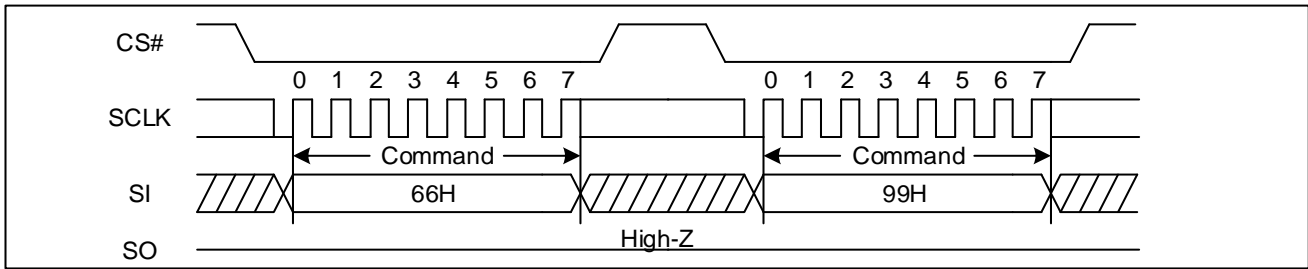
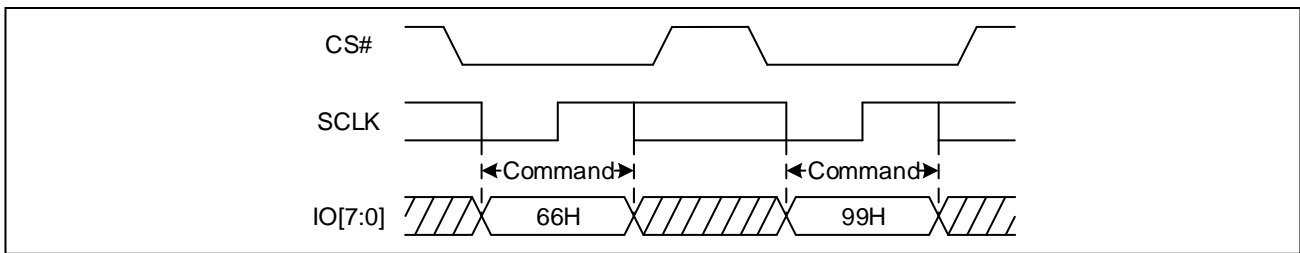


Figure 113. Enable Reset and Reset command Sequence Diagram (OPI)



9.38 Read Serial Flash Discoverable Parameter (5AH)

The Serial Flash Discoverable Parameter (SFDP) standard provides a consistent method of describing the functional and feature capabilities of serial flash devices in a standard set of internal parameter tables. These parameter tables can be interrogated by host system software to enable adjustments needed to accommodate divergent features from multiple vendors. The concept is similar to the one found in the Introduction of JEDEC Standard, JESD68 on CFI. SFDP is a standard of JEDEC Standard No.216F.

Figure 114. Read Serial Flash Discoverable Parameter command Sequence Diagram (SPI)

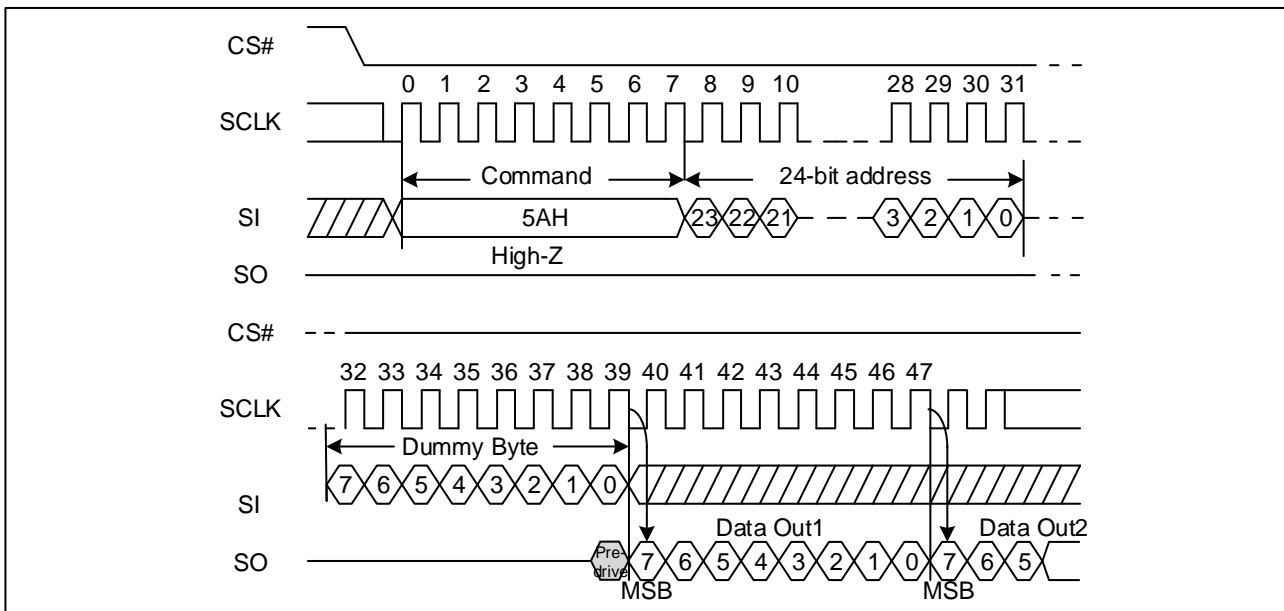




Figure 115. Read Serial Flash Discoverable Parameter command Sequence Diagram (STR OPI)

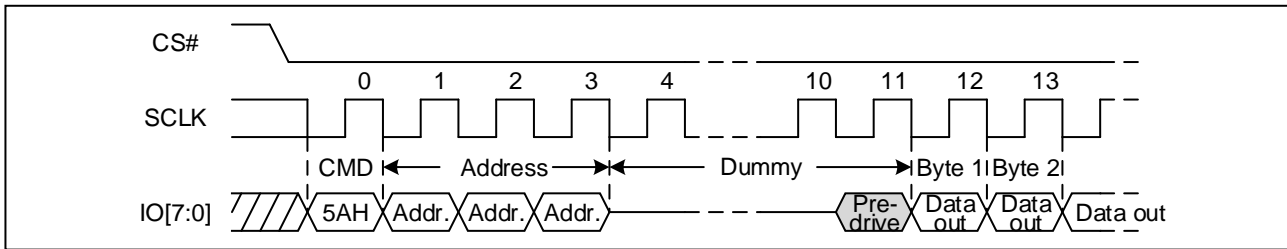


Figure 116. Read Serial Flash Discoverable Parameter command Sequence Diagram (DTR OPI)

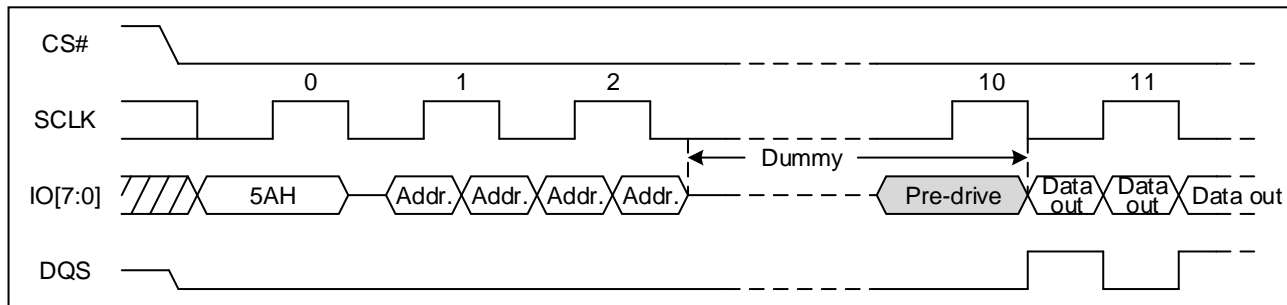


Table 14 Signature and Parameter Identification Data Values (Please contact GigaDevice for Details)



10 ELECTRICAL CHARACTERISTICS

10.1 Power-On Timing

Figure 117 Power-on Timing

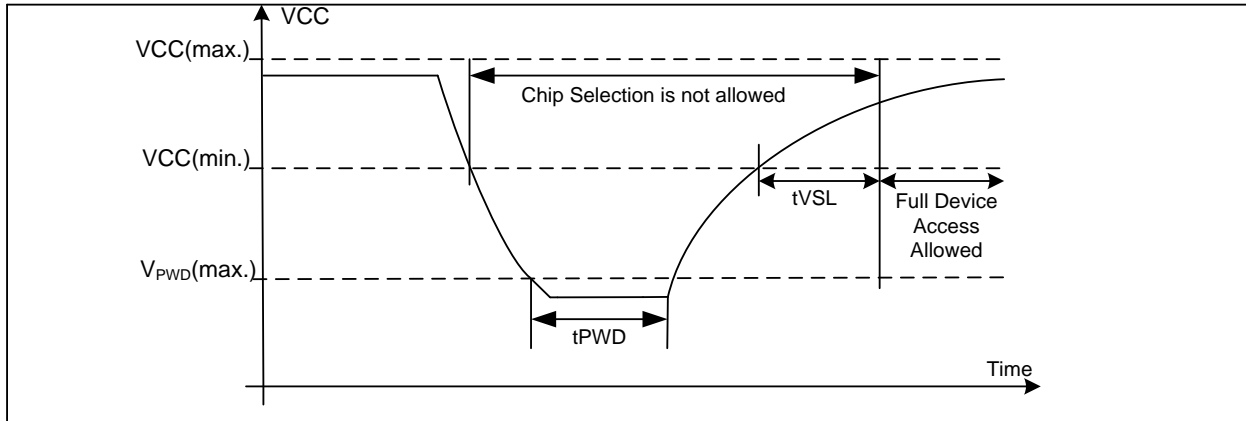


Table 15 Power-Up Timing and Write Inhibit Threshold

Symbol	Parameter	Min.	Max.	Unit
tVSL	VCC (min.) to device operation	1.5		ms
VWI	Write Inhibit Voltage	1	1.4	V
VPWD	VCC voltage needed to below VPWD for ensuring		0.5	V
tPWD	The minimum duration for ensuring initialization will occur	300		μs

10.2 Initial Delivery State

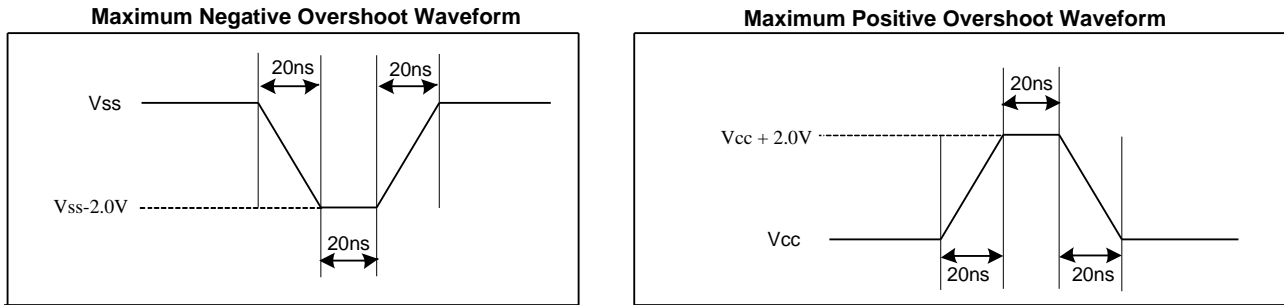
The device is delivered with the memory array erased: all bits are set to 1 (each Byte contains FFH). The Status Register contains 00H (all Status Register bits are 0).

10.3 Absolute Maximum Ratings

Parameter	Value	Unit
Ambient Operating Temperature (T _A)	-40 to 85	°C
	-40 to 105	
	-40 to 125	
Storage Temperature	-65 to 150	°C
Transient Input/Output Voltage (note: overshoot)	-2.0 to VCC+2.0	V
Applied Input/Output Voltage	-0.6 to VCC+0.4	V
VCC	-0.6 to 2.5	V



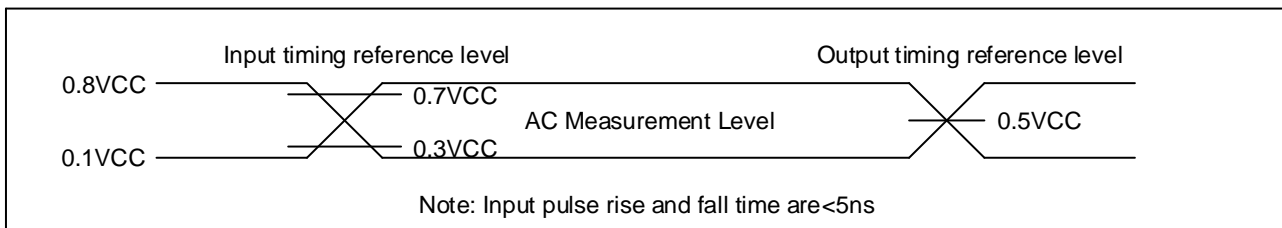
Figure 118. Input Test Waveform and Measurement Level



10.4 Capacitance Measurement Conditions

Symbol	Parameter	Min	Typ.	Max	Unit	Conditions
CIN/COUT	Input/Output Capacitance of SOP16 (IO pins: IO[7:0])			20	pF	VIN=0V VOUT=0V
	Input/Output Capacitance of BGA (IO pins: IO[7:0])			12	pF	VIN=0V VOUT=0V
CIN	Input Capacitance (except IO pins)			16	pF	VIN=0V
COUT	Output Capacitance (except IO pins)			16	pF	VOUT=0V
CL	Load Capacitance	30			pF	
	Input Rise And Fall time			5	ns	
	Input Pulse Voltage	0.1VCC to 0.8VCC			V	
	Input Timing Reference Voltage	0.3VCC to 0.7VCC			V	
	Output Timing Reference Voltage	0.5VCC			V	

Figure 119. Absolute Maximum Ratings Diagram





10.5 DC Characteristics

($T_A = -40^{\circ}\text{C} \sim 85^{\circ}\text{C}$, $V_{CC} = 1.65 \sim 2.0\text{V}$)

Symbol	Parameter	Test Condition	Min.	Typ.	Max.	Unit.
I_{LI}	Input Leakage Current				± 4	μA
I_{LO}	Output Leakage Current				± 4	μA
I_{CC1}	Standby Current	CS#=VCC, VIN=VCC or VSS		40	300	μA
I_{CC2}	Deep Power-Down Current	CS#=VCC, VIN=VCC or VSS		12	100	μA
I_{CC3}	Operating Current (Read)	CLK=0.1VCC / 0.9VCC at 166MHz, Q=Open (x8 I/O)		55	80	mA
		CLK=0.1VCC / 0.9VCC at 200MHz, Q=Open (x8 I/O)		60	90	mA
		CLK=0.1VCC / 0.9VCC at 200MHz DTR, Q=Open (x8 I/O)		90	140	mA
I_{CC4}	Operating Current (PP)	CS#=VCC		15	30	mA
I_{CC5}	Operating Current (WRSR)	CS#=VCC		30	60	mA
I_{CC6}	Operating Current (SE)	CS#=VCC		15	30	mA
I_{CC7}	Operating Current (BE)	CS#=VCC		15	30	mA
I_{CC8}	Operating Current (CE)	CS#=VCC		30	60	mA
V_{IL}	Input Low Voltage		-0.5		0.3VCC	V
V_{IH}	Input High Voltage		0.7VCC		VCC+0.4	V
V_{OL}	Output Low Voltage	$I_{OL} = 100\mu\text{A}$			0.2	V
V_{OH}	Output High Voltage	$I_{OH} = -100\mu\text{A}$	VCC-0.2			V

Note:

1. Typical value at $T_A = 25^{\circ}\text{C}$, $V_{CC} = 1.8\text{V}$.
2. Value guaranteed by design and/or characterization, not 100% tested in production.



(T_A = -40°C~105°C, VCC=1.65~2.0V)

Symbol	Parameter	Test Condition	Min.	Typ.	Max.	Unit.
I _{LI}	Input Leakage Current				±4	μA
I _{LO}	Output Leakage Current				±4	μA
I _{CC1}	Standby Current	CS#=VCC, VIN=VCC or VSS		40	600	μA
I _{CC2}	Deep Power-Down Current	CS#=VCC, VIN=VCC or VSS		12	200	μA
I _{CC3}	Operating Current (Read)	CLK=0.1VCC / 0.9VCC at 166MHz, Q=Open (x8 I/O)		55	85	mA
		CLK=0.1VCC / 0.9VCC at 200MHz, Q=Open (x8 I/O)		60	95	mA
		CLK=0.1VCC / 0.9VCC at 200MHz DTR, Q=Open (x8 I/O)		90	150	mA
I _{CC4}	Operating Current (PP)	CS#=VCC		15	35	mA
I _{CC5}	Operating Current (WRSR)	CS#=VCC		30	70	mA
I _{CC6}	Operating Current (SE)	CS#=VCC		15	35	mA
I _{CC7}	Operating Current (BE)	CS#=VCC		15	35	mA
I _{CC8}	Operating Current (CE)	CS#=VCC		30	70	mA
V _{IL}	Input Low Voltage		-0.5		0.3VCC	V
V _{IH}	Input High Voltage		0.7VCC		VCC+0.4	V
V _{OL}	Output Low Voltage	I _{OL} = 100μA			0.2	V
V _{OH}	Output High Voltage	I _{OH} = -100μA	VCC-0.2			V

Note:

1. Typical value at T_A = 25°C, VCC = 1.8V.
2. Value guaranteed by design and/or characterization, not 100% tested in production.



(T_A = -40°C~125°C, VCC=1.65~2.0V)

Symbol	Parameter	Test Condition	Min.	Typ.	Max.	Unit.
I _{LI}	Input Leakage Current				±6	μA
I _{LO}	Output Leakage Current				±6	μA
I _{CC1}	Standby Current	CS#=VCC, VIN=VCC or VSS		40	1200	μA
I _{CC2}	Deep Power-Down Current	CS#=VCC, VIN=VCC or VSS		12	300	μA
I _{CC3}	Operating Current (Read)	CLK=0.1VCC / 0.9VCC at 166MHz, Q=Open (x8 I/O)		55	90	mA
		CLK=0.1VCC / 0.9VCC at 200MHz, Q=Open (x8 I/O)		60	100	mA
		CLK=0.1VCC / 0.9VCC at 200MHz DTR, Q=Open (x8 I/O)		90	160	mA
I _{CC4}	Operating Current (PP)	CS#=VCC		15	40	mA
I _{CC5}	Operating Current (WRSR)	CS#=VCC		30	80	mA
I _{CC6}	Operating Current (SE)	CS#=VCC		15	40	mA
I _{CC7}	Operating Current (BE)	CS#=VCC		15	40	mA
I _{CC8}	Operating Current (CE)	CS#=VCC		30	80	mA
V _{IL}	Input Low Voltage		-0.5		0.3VCC	V
V _{IH}	Input High Voltage		0.7VCC		VCC+0.4	V
V _{OL}	Output Low Voltage	I _{OL} = 100μA			0.2	V
V _{OH}	Output High Voltage	I _{OH} = -100μA	VCC-0.2			V

Note:

1. Typical value at T_A = 25°C, VCC = 1.8V.
2. Value guaranteed by design and/or characterization, not 100% tested in production.



10.6 AC Characteristics

(T_A = -40°C~85°C, VCC=1.65~2.0V)

Symbol	Parameter	Min.	Typ.	Max.	Unit.
f _{C1}	Serial Clock Frequency for all instructions except Read (03H, 13H) in STR mode			200 ⁽⁴⁾	MHz
f _{C2}	Serial Clock Frequency for all instructions in DTR mode			200 ⁽⁴⁾	MHz
f _R	Serial Clock Frequency For: Read (03H, 13H)			60	MHz
t _{CLH}	Serial Clock High Time	45% (1/f _{CMax})			ns
t _{CLL}	Serial Clock Low Time	45% (1/f _{CMax})			ns
t _{CLCH} t _{CHCL}	Serial Clock Rise/Fall Time (Slew Rate) (fSCLK≤100MHz)	0.6			V/ns
	Serial Clock Rise/Fall Time (Slew Rate) (fSCLK>100MHz)	0.8			V/ns
	Serial Clock Rise/Fall Time (Slew Rate) (fSCLK>133MHz)	1			V/ns
	Serial Clock Rise/Fall Time (Slew Rate) (fSCLK>166MHz)	1.2			V/ns
t _{SLCH}	CS# Active Setup Time	4			ns
t _{CHSH} t _{CLSH}	CS# Active Hold Time	4			ns
t _{SHCH}	CS# Not Active Setup Time	5			ns
t _{CHSL}	CS# Not Active Hold Time	5			ns
t _{SHSL}	CS# High Time (Read)	20			ns
	CS# High Time (Write)	40			ns
t _{SHQZ}	Output Disable Time			8	ns
t _{CLQX} t _{CHQX}	Output Hold Time	1.8			ns
t _{DVCH}	Data In Setup Time (STR) (fSCLK≤133MHz)	2			ns
	Data In Setup Time (STR) (fSCLK>133MHz)	1			ns
t _{DVCH} t _{DVCL}	Data In Setup Time (DTR) (fSCLK≤100MHz)	1			ns
	Data In Setup Time (DTR) (fSCLK>100MHz)	0.8			ns
	Data In Setup Time (DTR) (fSCLK>133MHz)	0.6			ns
	Data In Setup Time (DTR) (fSCLK>166MHz)	0.5			ns
t _{CHDX}	Data In Hold Time (STR) (fSCLK≤133MHz)	2			ns
	Data In Hold Time (STR) (fSCLK>133MHz)	1			ns
t _{CHDX} t _{CLDX}	Data In Hold Time (DTR) (fSCLK≤100MHz)	1			ns
	Data In Hold Time (DTR) (fSCLK>100MHz)	0.8			ns
	Data In Hold Time (DTR) (fSCLK>133MHz)	0.6			ns
	Data In Hold Time (DTR) (fSCLK>166MHz)	0.5			ns



t _{QSV}	Clock Transient to DQS Valid Time	Align to 30pF t _{CLQV}			ns
t _{bQSQ}	SIO Valid Skew Related to DQS (TFBGA, 12pF)			0.4	ns
	SIO Valid Skew Related to DQS (SOP, 12pF)			0.6	ns
t _{QHS}	SIO Hold Skew Factor (TFBGA, 12pF)			0.4	ns
	SIO Hold Skew Factor (SOP, 12pF)			0.6	ns
t _{ECSV}	ECS# Setup Time			10	ns
t _{CLQV}	Clock Transient to Output Valid (30pF)			8	ns
t _{CHQV}	Clock Transient to Output Valid (12pF)			6	ns
t _{WHSL}	Write Protect Setup Time Before CS# Low	20			ns
t _{SHWL}	Write Protect Hold Time After CS# High	100			ns
t _{DP}	CS# High To Deep Power-Down Mode			3	μs
t _{RES1}	CS# High To Standby Mode Without Electronic Signature Read			30	μs
t _{SUS}	CS# High To Next Command After Suspend			20	μs
t _{RS} ⁽⁵⁾	Latency Between Resume And Next Suspend	100			μs
t _{RST}	CS# High To Next Command After Reset (From Read or From Program)			40	μs
t _{RST_E}	CS# High To Next Command After Reset (From Erase or From Write Status/Non-volatile Configuration Register)			25	ms
t _w	Write Status Register Cycle Time		2	25	ms
	Write Non-Volatile Configuration Register Cycle Time				
t _{BP1}	Byte Program Time (First Byte)		30	70	μs
t _{BP2}	Additional Byte Program Time (After First Byte)		2.5	12	μs
t _{PP}	Page Programming Time		0.18	1.2	ms
t _{SE}	Sector Erase Time		30	300	ms
t _{BE1}	Block Erase Time (32K Bytes)		0.1	1.5	s
t _{BE2}	Block Erase Time (64K Bytes)		0.2	2	s
t _{CE}	Chip Erase Time (GD55LX01GE)		100	300	s

Note:

1. Typical value at T_A = 25°C.
2. Value guaranteed by design and/or characterization, not 100% tested in production.
3. Time of CS# High To Next Command After Reset from 01H/B1H command would be t_w + t_{RST}
4. For SOP16 package, f_{c1} = 166MHz, f_{c2} = 166MHz.
5. Minimum timing must be observed before issuing the next suspend command, and a period equal to or longer than the minimum timing is required in order for the program or erase operation to make progress, but the operation time may exceed the maximum value.



(T_A = -40°C~105°C, VCC=1.65~2.0V)

Symbol	Parameter	Min.	Typ.	Max.	Unit.
f _{C1}	Serial Clock Frequency for all instructions except Read (03H, 13H) in STR mode			200 ⁽⁴⁾	MHz
f _{C2}	Serial Clock Frequency for all instructions in DTR mode			200 ⁽⁴⁾	MHz
f _R	Serial Clock Frequency For: Read (03H, 13H)			60	MHz
t _{CLH}	Serial Clock High Time	45% (1/f _{CMax})			ns
t _{CLL}	Serial Clock Low Time	45% (1/f _{CMax})			ns
t _{CLCH} t _{CHCL}	Serial Clock Rise/Fall Time (Slew Rate) (fSCLK≤100MHz)	0.6			V/ns
	Serial Clock Rise/Fall Time (Slew Rate) (fSCLK>100MHz)	0.8			V/ns
	Serial Clock Rise/Fall Time (Slew Rate) (fSCLK>133MHz)	1			V/ns
	Serial Clock Rise/Fall Time (Slew Rate) (fSCLK>166MHz)	1.2			V/ns
t _{SLCH}	CS# Active Setup Time	4			ns
t _{CHSH} t _{CLSH}	CS# Active Hold Time	4			ns
t _{SHCH}	CS# Not Active Setup Time	5			ns
t _{CHSL}	CS# Not Active Hold Time	5			ns
t _{SHSL}	CS# High Time (Read)	20			ns
	CS# High Time (Write)	40			ns
t _{SHQZ}	Output Disable Time			8	ns
t _{CLQX} t _{CHQX}	Output Hold Time	1.8			ns
t _{DVCH}	Data In Setup Time (STR) (fSCLK≤133MHz)	2			ns
	Data In Setup Time (STR) (fSCLK>133MHz)	1			ns
t _{DVCH} t _{DVCL}	Data In Setup Time (DTR) (fSCLK≤100MHz)	1			ns
	Data In Setup Time (DTR) (fSCLK>100MHz)	0.8			ns
	Data In Setup Time (DTR) (fSCLK>133MHz)	0.6			ns
	Data In Setup Time (DTR) (fSCLK>166MHz)	0.5			ns
t _{CHDX}	Data In Hold Time (STR) (fSCLK≤133MHz)	2			ns
	Data In Hold Time (STR) (fSCLK>133MHz)	1			ns
t _{CHDX} t _{CLDX}	Data In Hold Time (DTR) (fSCLK≤100MHz)	1			ns
	Data In Hold Time (DTR) (fSCLK>100MHz)	0.8			ns
	Data In Hold Time (DTR) (fSCLK>133MHz)	0.6			ns
	Data In Hold Time (DTR) (fSCLK>166MHz)	0.5			ns



t _{QSV}	Clock Transient to DQS Valid Time	Align to 30pF t _{CLQV}			ns
t _{bdQSQ}	SIO Valid Skew Related to DQS (TFBGA, 12pF)			0.4	ns
	SIO Valid Skew Related to DQS (SOP, 12pF)			0.6	ns
t _{QHS}	SIO Hold Skew Factor (TFBGA, 12pF)			0.4	ns
	SIO Hold Skew Factor (SOP, 12pF)			0.6	ns
t _{ECSV}	ECS# Setup Time			10	ns
t _{CLQV}	Clock Transient to Output Valid (30pF)			8	ns
t _{CHQV}	Clock Transient to Output Valid (12pF)			6	ns
t _{WHSL}	Write Protect Setup Time Before CS# Low	20			ns
t _{SHWL}	Write Protect Hold Time After CS# High	100			ns
t _{DP}	CS# High To Deep Power-Down Mode			3	μs
t _{RES1}	CS# High To Standby Mode Without Electronic Signature Read			30	μs
t _{SUS}	CS# High To Next Command After Suspend			20	μs
t _{RS} ⁽⁵⁾	Latency Between Resume And Next Suspend	100			μs
t _{RST}	CS# High To Next Command After Reset (From Read or From Program)			40	μs
t _{RST_E}	CS# High To Next Command After Reset (From Erase or From Write Status/Non-volatile Configuration Register)			25	ms
t _w	Write Status Register Cycle Time		2	30	ms
	Write Non-Volatile Configuration Register Cycle Time				
t _{BP1}	Byte Program Time (First Byte)		30	140	μs
t _{BP2}	Additional Byte Program Time (After First Byte)		2.5	25	μs
t _{PP}	Page Programming Time		0.18	2	ms
t _{SE}	Sector Erase Time		30	500	ms
t _{BE1}	Block Erase Time (32K Bytes)		0.1	1.6	s
t _{BE2}	Block Erase Time (64K Bytes)		0.2	3	s
t _{CE}	Chip Erase Time (GD55LX01GE)		100	450	s

Note:

1. Typical value at T_A = 25°C.
2. Value guaranteed by design and/or characterization, not 100% tested in production.
3. Time of CS# High To Next Command After Reset from 01H/B1H command would be t_w + t_{RST}
4. For SOP16 package, f_{c1} = 166MHz, f_{c2} = 166MHz.
5. Minimum timing must be observed before issuing the next suspend command, and a period equal to or longer than the minimum timing is required in order for the program or erase operation to make progress, but the operation time may exceed the maximum value.



(T_A = -40°C~125°C, VCC=1.65~2.0V)

Symbol	Parameter	Min.	Typ.	Max.	Unit.
f _{C1}	Serial Clock Frequency for all instructions except Read (03H, 13H) in STR mode			200 ⁽⁴⁾	MHz
f _{C2}	Serial Clock Frequency for all instructions in DTR mode			200 ⁽⁴⁾	MHz
f _R	Serial Clock Frequency For: Read (03H, 13H)			60	MHz
t _{CLH}	Serial Clock High Time	45% (1/f _{CMax})			ns
t _{CLL}	Serial Clock Low Time	45% (1/f _{CMax})			ns
t _{CLCH} t _{CHCL}	Serial Clock Rise/Fall Time (Slew Rate) (f _{SCLK} ≤100MHz)	0.6			V/ns
	Serial Clock Rise/Fall Time (Slew Rate) (f _{SCLK} >100MHz)	0.8			V/ns
	Serial Clock Rise/Fall Time (Slew Rate) (f _{SCLK} >133MHz)	1			V/ns
t _{SLCH}	CS# Active Setup Time	4			ns
t _{CHSH} t _{CLSH}	CS# Active Hold Time	4			ns
t _{SHCH}	CS# Not Active Setup Time	5			ns
t _{CHSL}	CS# Not Active Hold Time	5			ns
t _{SHSL}	CS# High Time (Read)	20			ns
	CS# High Time (Write)	40			ns
t _{SHQZ}	Output Disable Time			8	ns
t _{CLQX} t _{CHQX}	Output Hold Time	1.8			ns
t _{DVCH}	Data In Setup Time (STR) (f _{SCLK} ≤133MHz)	2			ns
	Data In Setup Time (STR) (f _{SCLK} >133MHz)	1			ns
t _{DVCH} t _{DVCL}	Data In Setup Time (DTR) (f _{SCLK} ≤100MHz)	1			ns
	Data In Setup Time (DTR) (f _{SCLK} >100MHz)	0.8			ns
	Data In Setup Time (DTR) (f _{SCLK} >133MHz)	0.6			ns
t _{CHDX}	Data In Hold Time (STR) (f _{SCLK} ≤133MHz)	2			ns
	Data In Hold Time (STR) (f _{SCLK} >133MHz)	1			ns
t _{CHDX} t _{CLDX}	Data In Hold Time (DTR) (f _{SCLK} ≤100MHz)	1			ns
	Data In Hold Time (DTR) (f _{SCLK} >100MHz)	0.8			ns
	Data In Hold Time (DTR) (f _{SCLK} >133MHz)	0.6			ns
t _{QSV}	Clock Transient to DQS Valid Time	Align to 30pF t _{CLQV}			ns
t _{DQSQ}	SIO Valid Skew Related to DQS (TFBGA, 12pF)			0.4	ns
	SIO Valid Skew Related to DQS (SOP, 12pF)			0.6	ns
t _{QHS}	SIO Hold Skew Factor (TFBGA, 12pF)			0.4	ns
	SIO Hold Skew Factor (SOP, 12pF)			0.6	ns



t _{ECSV}	ECS# Setup Time			10	ns
t _{CLQV}	Clock Transient to Output Valid (30pF)			8	ns
t _{CHQV}	Clock Transient to Output Valid (12pF)			6	ns
t _{WHSL}	Write Protect Setup Time Before CS# Low	20			ns
t _{SHWL}	Write Protect Hold Time After CS# High	100			ns
t _{DP}	CS# High To Deep Power-Down Mode			3	μs
t _{RES1}	CS# High To Standby Mode Without Electronic Signature Read			30	μs
t _{SUS}	CS# High To Next Command After Suspend			20	μs
t _{RS} ⁽⁵⁾	Latency Between Resume And Next Suspend	100			μs
t _{RST}	CS# High To Next Command After Reset (From Read or From Program)			40	μs
t _{RST_E}	CS# High To Next Command After Reset (From Erase or From Write Status/Non-volatile Configuration Register)			25	ms
t _w	Write Status Register Cycle Time Write Non-Volatile Configuration Register Cycle Time		2	30	ms
t _{BP1}	Byte Program Time (First Byte)		30	140	μs
t _{BP2}	Additional Byte Program Time (After First Byte)		2.5	25	μs
t _{PP}	Page Programming Time		0.18	2	ms
t _{SE}	Sector Erase Time		30	700	ms
t _{BE1}	Block Erase Time (32K Bytes)		0.1	1.6	s
t _{BE2}	Block Erase Time (64K Bytes)		0.2	3	s
t _{CE}	Chip Erase Time (GD55LX01GE)		100	500	s

Note:

1. Typical value at T_A = 25°C.
2. Value guaranteed by design and/or characterization, not 100% tested in production.
3. Time of CS# High To Next Command After Reset from 01H/B1H command would be t_w + t_{RST}
4. For SOP16 package, f_{c1} = 133MHz, f_{c2} = 133MHz.
5. Minimum timing must be observed before issuing the next suspend command, and a period equal to or longer than the minimum timing is required in order for the program or erase operation to make progress, but the operation time may exceed the maximum value.



Figure 120. Serial Input Timing

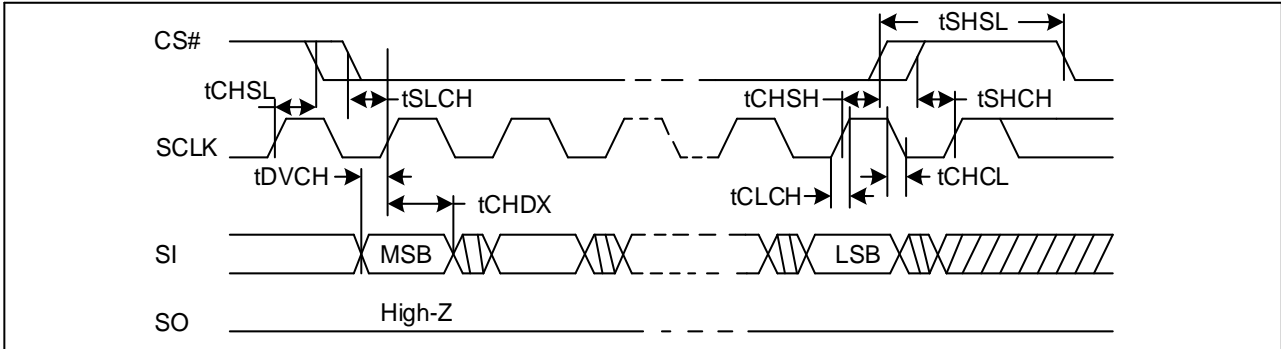


Figure 121. Output Timing

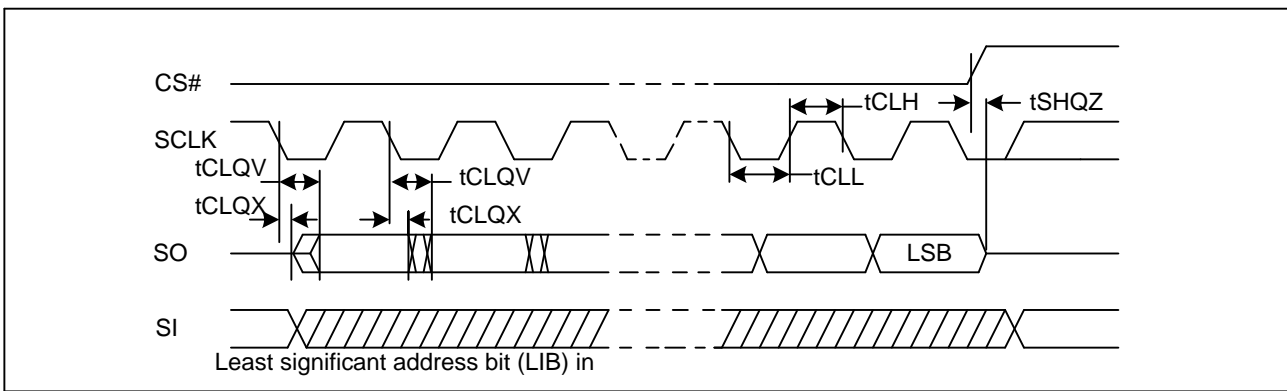


Figure 122. Serial Input Timing (DTR)

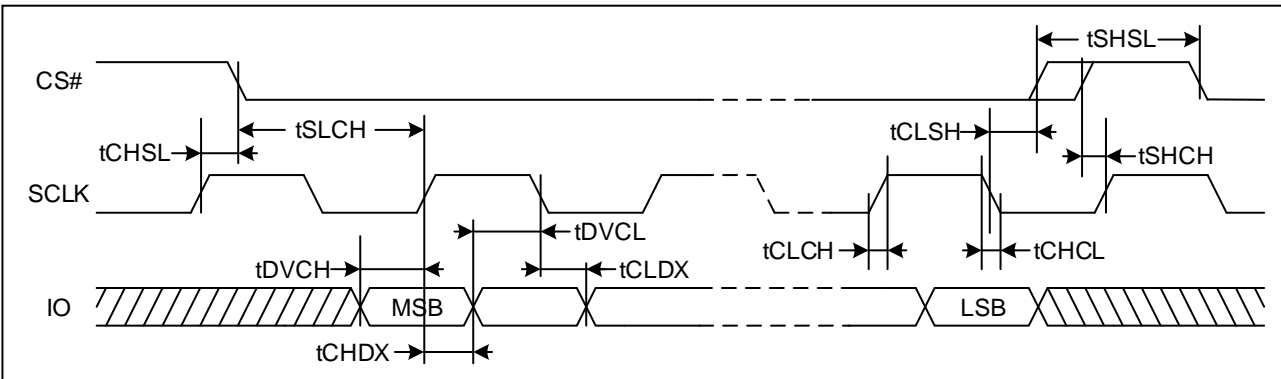


Figure 123. Serial Output Timing (DTR)

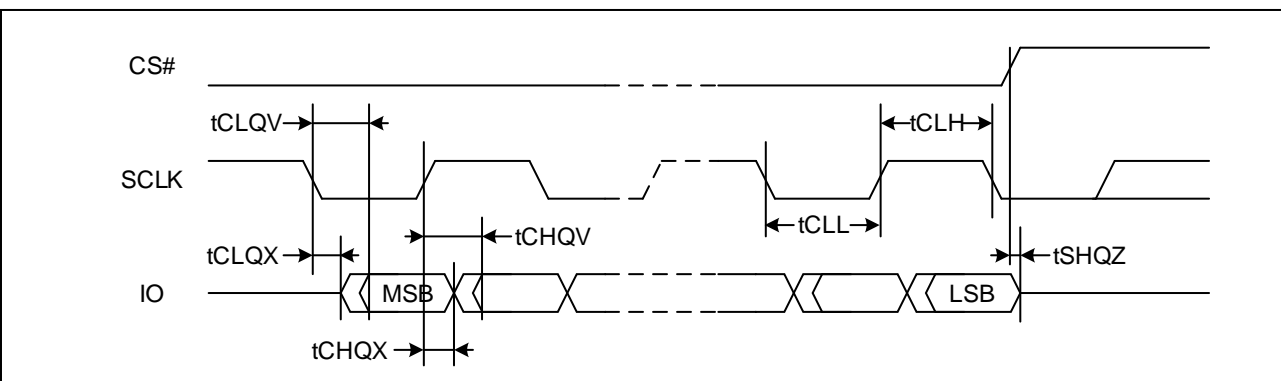




Figure 124. DQS Output Timing (STR)

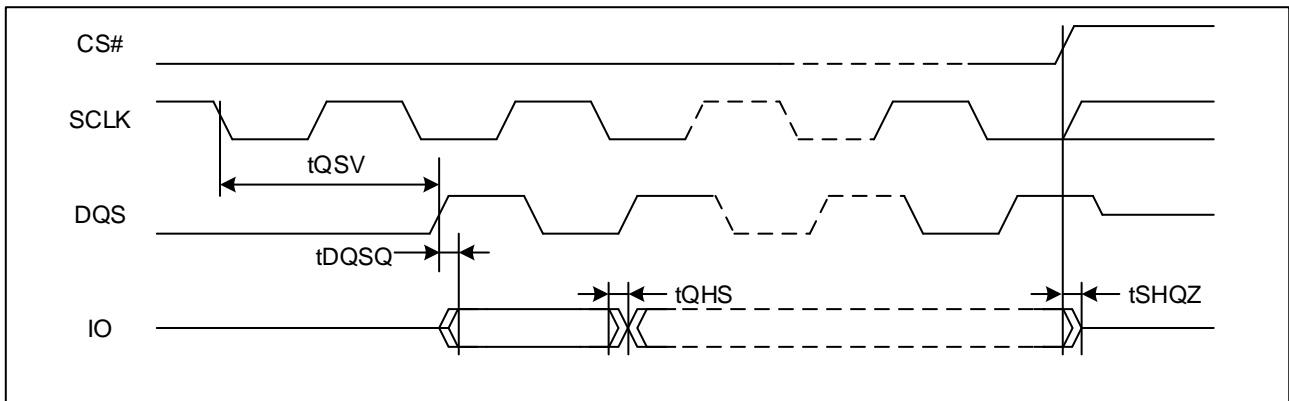


Figure 125. DQS Output Timing (DTR)

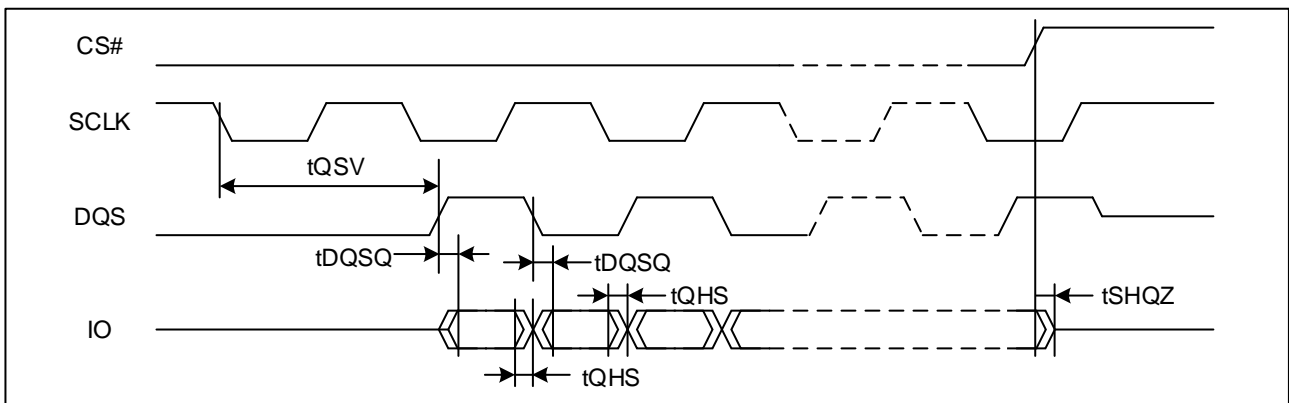


Figure 126. Resume to Suspend Timing Diagram

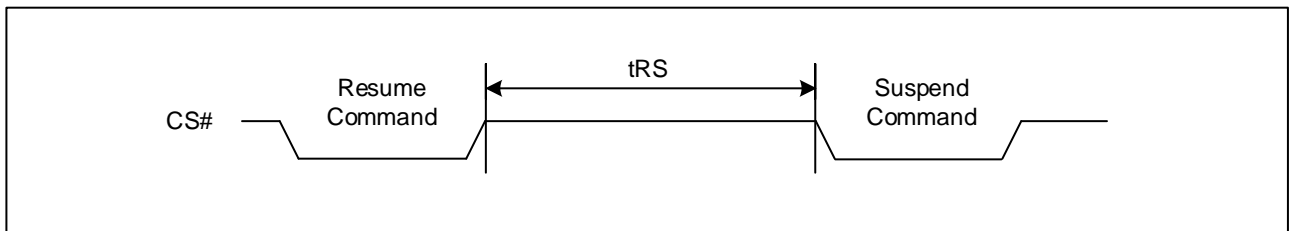


Figure 127. WP# Timing

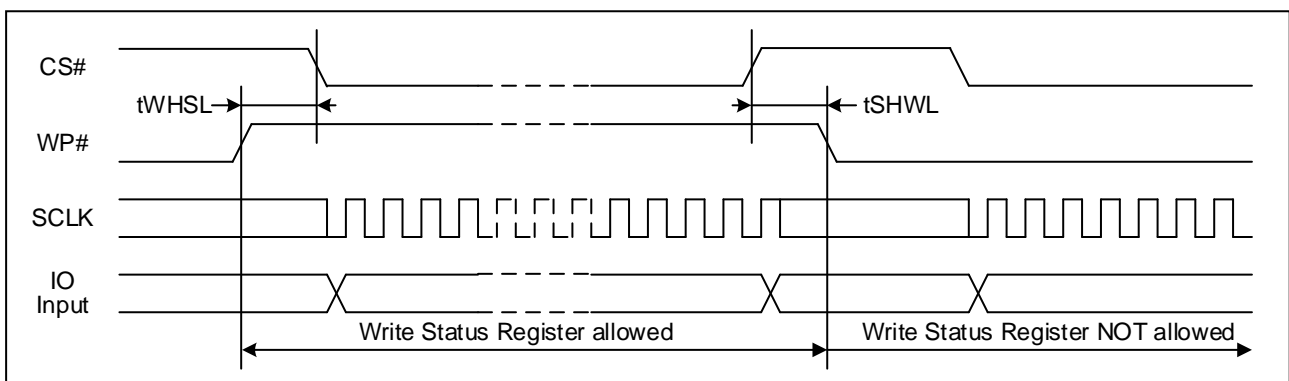




Figure 128. RESET Timing

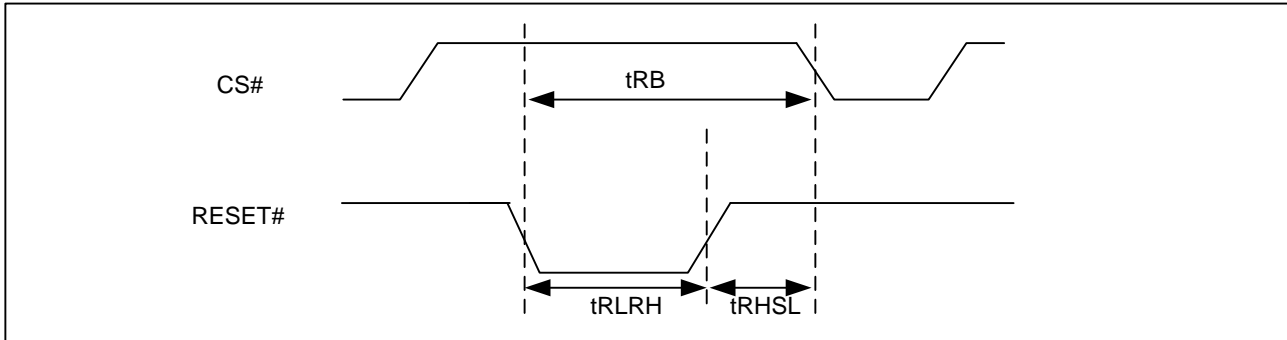


Table 16 Reset Timing

Symbol	Parameter	Min.	Typ.	Max.	Unit.
t_{RLRH}	Reset Pulse Width	1			μ s
t_{RHSL}	Reset Hold time before next Operation	50			ns
t_{RB}	Reset Recovery Time (From Read or Program)			40	μ s
	Reset Recovery Time (From Erase)			25	ms

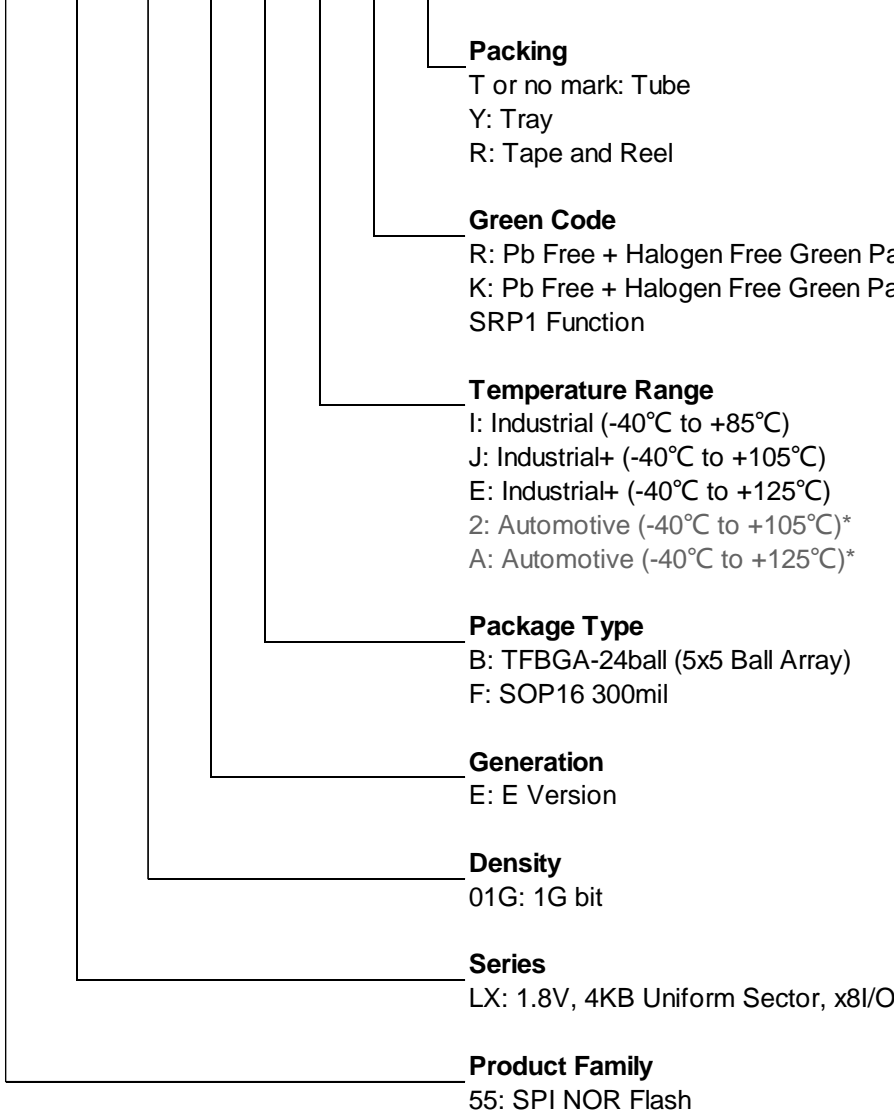
Note:

1. Time of Reset Recovery Time from 01H/B1H command would be $t_w + t_{RB}$
2. The device need $t_{RB(max)}$ at most to get ready for all commands after RESET# low.



11 ORDERING INFORMATION

GD XX XX XX X X X X X



*Please contact GigaDevice sales for automotive products.



11.1 Valid Part Numbers

Please contact GigaDevice regional sales for the latest product selection and available form factors.

Temperature Range I: Industrial (-40°C to +85°C)

Product Number	Clock	Density	Package Type	Packing Options
GD55LX01GEBIR	200MHz	1Gbit	TFBGA-24ball (5x5 Ball Array)	Y/R
GD55LX01GEBIK	200MHz			Y/R
GD55LX01GEFIR	166MHz	1Gbit	SOP16 300mil	T/Y/R
GD55LX01GEFIK	166MHz			T/Y/R

Temperature Range J: Industrial+ (-40°C to +105°C)

Product Number	Clock	Density	Package Type	Packing Options
GD55LX01GEBJR	200MHz	1Gbit	TFBGA-24ball (5x5 Ball Array)	Y/R
GD55LX01GEBJK	200MHz			Y/R
GD55LX01GEFJR	166MHz	1Gbit	SOP16 300mil	T/Y/R
GD55LX01GEFJK	166MHz			T/Y/R

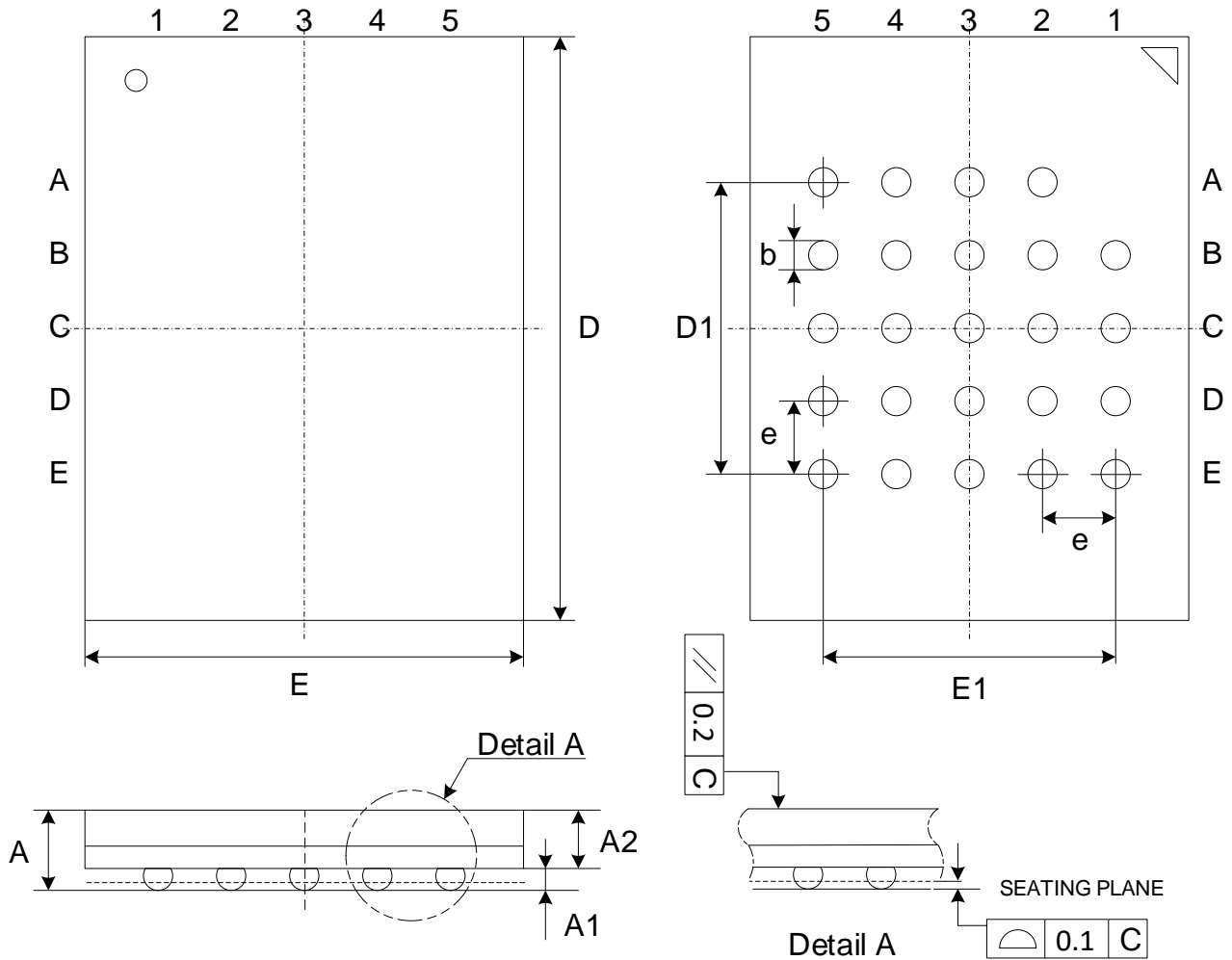
Temperature Range E: Industrial+ (-40°C to +125°C)

Product Number	Clock	Density	Package Type	Packing Options
GD55LX01GEBER	200MHz	1Gbit	TFBGA-24ball (5x5 Ball Array)	Y/R
GD55LX01GEBEK	200MHz			Y/R
GD55LX01GEFER	133MHz	1Gbit	SOP16 300mil	T/Y/R
GD55LX01GEFEK	133MHz			T/Y/R



12 PACKAGE INFORMATION

12.1 Package TFBGA-24BALL (5x5 ball array)

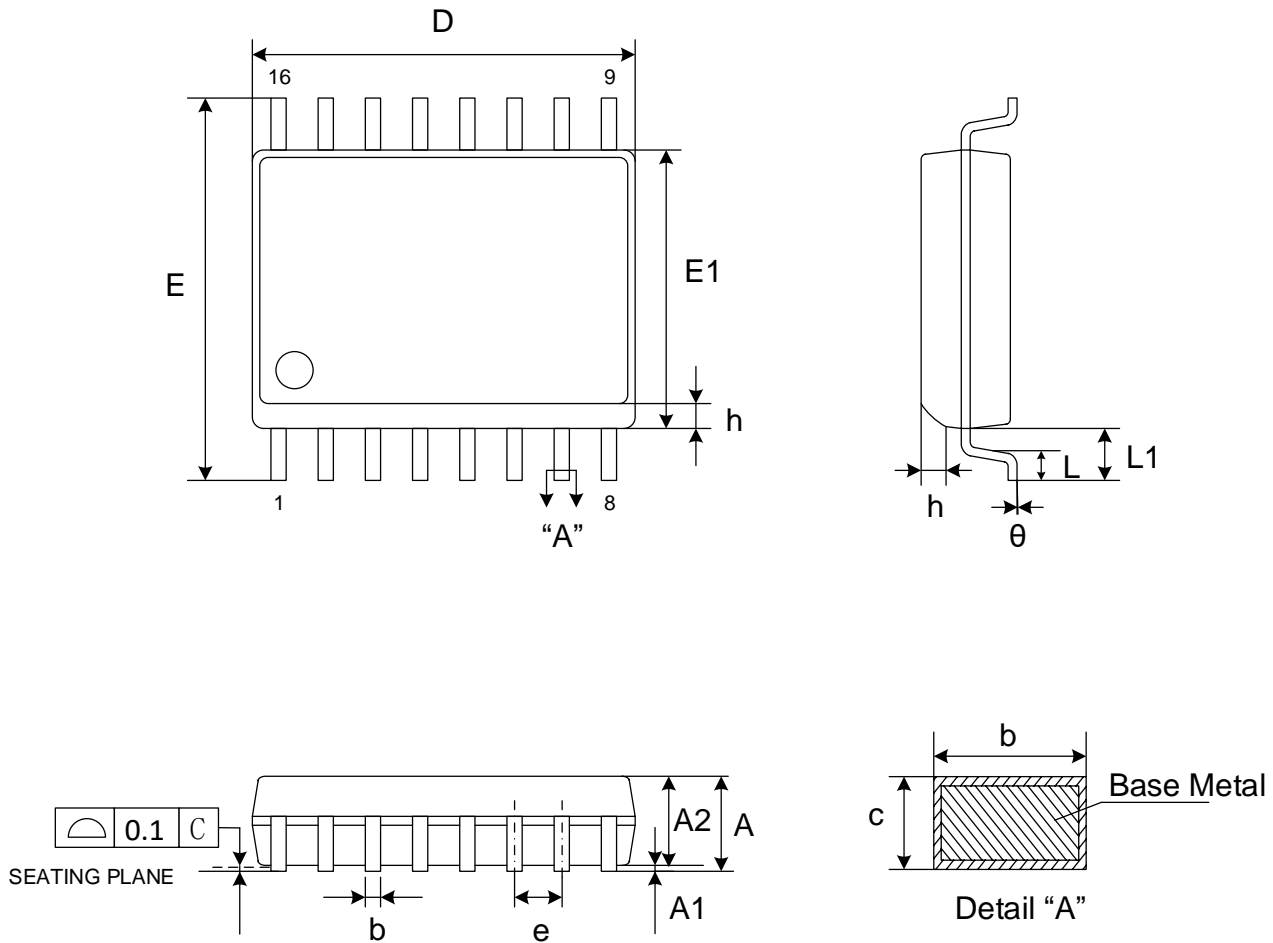


Dimensions

Symbol		A	A1	A2	b	E	E1	D	D1	e
Unit										
mm	Min	-	0.25	-	0.35	5.90	4.00	7.90	4.00	1.00
	Nom	-	0.30	0.80	0.40	6.00		8.00		
	Max	1.20	0.35	-	0.45	6.10		8.10		



12.2 Package SOP16 300MIL



Dimensions

Symbol		A	A1	A2	b	c	D	E	E1	e	L	L1	h	θ	
Unit															
mm	Min	-	0.10	2.05	0.31	0.10	10.20	10.10	7.40	1.27	0.40	1.40	0.25	0	
	Nom	-	0.20	-	0.41	0.25	10.30	10.30	7.50		-		-	-	-
	Max	2.65	0.30	2.55	0.51	0.33	10.40	10.50	7.60		1.27		1.40	0.75	8

Note:

1. Dimension D does not include mold flash, protrusions or gate burrs. Mold flash, protrusions or gate burrs shall not exceed 0.15mm per end.
2. Dimension E1 does not include interlead flash or protrusion. Interlead flash or protrusion shall not exceed 0.25mm per end.



13 REVISION HISTORY

Version No	Description	Page	Date
1.0	Initial release	All	2020-6-30
1.1	Modify default value of Byte <1> and Byte<4> in non-volatile/volatile configuration register Modify VIL from 0.2VCC to 0.3VCC Modify tCHSH/tCLSH from 3ns to 4ns Modify tSHCH from 3ns to 5ns Modify tCLQX/tCHQX from 1ns to 1.8ns Modify tW (max) @ -40 to 85°C from 20ms to 25ms Add -40~125°C DC/AC parameters	P21-23 P67, 68 P70, 72 P70, 72 P70, 72 P71 P69, 74-75	2020-12-30
1.2	Update Description of RESET# pin Add Note of WP# Pin and NC Ball Modify Typo of ECS# Timing Modify Typo of DLP Update ILI / ILO of 125°C from $\pm 4 \mu A$ to $\pm 6 \mu A$ Add WP# Timing Update Ordering Information Add Coplanarity of SOP16	P6, 7 P7 P15 P24-25 P69 P77 P79-80 P81	2022-1-21
1.3	Modify Note of WP# and RESET# Pin Remove Note of DNU# Pin Modify Typo of A24-A26 Bits Table Update SFDP Standard Number to No.216F Add Note of t _{RS} Modify TFBGA-24Ball Dimensions Table	P6-7 P7 P18-19 P63 P71, P73, P75 P82	2022-9-15
1.4	Modify Max STR Frequency from 166MHz to 200MHz Add "Hardware Reset" in description of OPI Mode/ Data Protection / SUS bits Update description of ECC Add Clear Flag Status Register (30H) command Update commands table format Add M7-0 in figure 49&50 Update description of CBH Continuous Read Mode Add Continuous Read Mode and Wrap Around for FDH command Update 9FH/9EH can be decoded when program/erase and Write Status Register cycle is in progress Update Power-On Timing Add CIN/COU Value of SOP16 300mil Package Add Operating Current of STR 200MHz read Modify 125°C DTR Read Current (I _{CC3}) from 80mA typ./150mA max. at 166MHz to 90mA typ./160mA max. at 200MHz Update Ordering Information	P4,5,25,72,74,76 P10,12,17 P14,15 P17,18,28,32 P27-30 P43 P43 P45 P55 P67 P68 P69,70,71 P71 P81	2025-2-28



	Add Detail A and delete note of BGA package	P83	
	Modify Note of SOP16 300mil Package	P84	



Important Notice

This document is the property of GigaDevice Semiconductor Inc. and its subsidiaries (the "Company"). This document, including any product of the Company described in this document (the "Product"), is owned by the Company according to the laws of the People's Republic of China and other applicable laws. The Company reserves all rights under such laws and no Intellectual Property Rights are transferred (either wholly or partially) or licensed (either expressly or impliedly). The names and brands of third party referred thereto (if any) are the property of their respective owner and referred to for identification purposes only.

The Company does not assume any warranty or condition, express or implied, with regard to this document or any Product, including, but not limited to, the implied warranties of merchantability, fitness for any particular purpose, non-infringement, or any warranty arising out of the application or use of any Product described in this document. Any information provided in this document is provided only for reference purposes. It is the responsibility of the user of this document to properly design, program, and test the functionality and safety of any application and any product produced. Except for customized products which has been expressly identified in the applicable agreement, the Products are designed, developed, and/or manufactured for ordinary business, industrial, personal, and/or household applications only. The Products are not designed or intended for use in, and no warranty is made respect to, any applications designed or intended for the operation of weaponry, nuclear equipment, atomic energy control instruments, combustion control instruments, airplane or spaceship instruments, traffic signal instruments, life-support devices or systems, other medical devices or systems (including resuscitation equipment and surgical implants etc.), pollution control or hazardous substances management, or other uses where failure to perform can reasonably be expected to result in personal injury, death, property or environmental damage ("Unintended Uses"). Customers shall take any and all actions to ensure using and selling the Products in accordance with the applicable laws and regulations. The Company is not liable, in whole or in part, and customers shall and hereby do release the Company as well as it's suppliers and/or distributors from any claim, damage, or other liability arising from or related to all Unintended Uses of the Products. Customers shall indemnify and hold the Company as well as it's suppliers and/or distributors harmless from and against all claims, costs, damages, and other liabilities, including claims for personal injury or death, arising from or related to any Unintended Uses of the Products. Customers shall discard the device according to the local environmental law.

Information in this document is provided solely in connection with the Products. The Company reserves the right to make changes, corrections, modifications or improvements to this document and the Products and services described herein at any time, without notice. And the company shall have no responsibility whatsoever for conflicts or incompatibilities arising from future changes to them.